



## Basic Climatological Station Metadata

Current status

Metadata compiled: 27 JUL 2021

**Station:** ALBURY AIRPORT AWS

**Bureau of Meteorology station number:** 072160

**Bureau of Meteorology district name:** Southwest Slopes (S)

**State:** NSW

**World Meteorological Organization number:** 95896

**Identification:** YMAY

**Network Classification:**

**Station purpose:** Synoptic, Aeronautical

**Automatic Weather Station:** Almos



Current Station Location				
<b>Latitude</b>	<b>Decimal</b>	-36.0690	<b>Hour Min Sec</b>	36°4'8"S
<b>Longitude</b>	<b>Decimal</b>	146.9509	<b>Hour Min Sec</b>	146°57'3"E
<b>Station Height</b>	163.5 m	<b>Barometer Height</b>	164.5 m	
<b>Method of station geographic positioning</b>			GPS	

**Year opened:** 1993

**Status:** Open

## Station summary

No summary for this site has been written as yet.

**Historical metadata for this site has not been quality controlled for accuracy and completeness. Data other than current station information, particularly earlier than 1998, should be considered accordingly. Information may not be complete, as backfilling of historical data is incomplete.**

Prepared by the Bureau of Meteorology.

Contact us by phone on (03) 9669 4082, by fax on (03) 9669 4515, or by email on [climatedata@bom.gov.au](mailto:climatedata@bom.gov.au)

Station metadata is compiled for a range of internal purposes and varies in quality and completeness. The Bureau cannot provide any warranty nor accept any liability for this information. © Copyright Commonwealth of Australia 2021, Bureau of Meteorology.



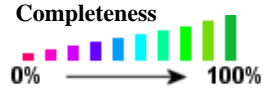
## Basic Climatological Station Metadata

Current status

<b>Station:</b> ALBURY AIRPORT AWS	<b>Location:</b> ALBURY AIRPORT AWS			<b>State:</b> NSW
<b>Bureau No.:</b> 072160	<b>WMO No.:</b> 95896	<b>Aviation ID:</b> YMAY	<b>Opened:</b> 01 Apr 1993	<b>Current Status:</b> Still open
<b>Latitude:</b> -36.0690	<b>Longitude:</b> 146.9509	<b>Elevation:</b> 163.5 m	<b>Barometer Elev:</b> 164.5 m	<b>Metadata compiled:</b> 27 JUL 2021

### Observation summary

The table below indicates the approximate completeness of the record for individual element types within the Australian Data Archive for Meteorology. For elements not listed see the note below.



#### DAILY DATA HOLDINGS

OBSERVATION TYPE	FIRST MONTH	LAST MONTH	COMPLETENESS (% estimate)	SINGLE DAYS MISSED	FULL MONTHS MISSED
<b>MAXIMUM AIR TEMPERATURE</b>	MAY 1993	JUN 2021	98.0	204	0
1 8 5 0	1 9 0 0	1 9 0 0	1 9 5 0		
<b>MAXIMUM WIND GUST SPEED</b>	MAR 2006	JUN 2021	98.5	79	0
1 8 5 0	1 9 0 0	1 9 0 0	1 9 5 0		
<b>WIND RUN ABOVE 10 FEET</b>	APR 2006	JUN 2021	98.8	65	0
1 8 5 0	1 9 0 0	1 9 0 0	1 9 5 0		
<b>RAINFALL</b>	JUN 1994	JUL 2021	96	N/A	N/A
1 8 5 0	1 9 0 0	1 9 0 0	1 9 5 0		

#### HOURLY DATA HOLDINGS - from 1 to 24 observations per day

OBSERVATION TYPE	FIRST MONTH	LAST MONTH	COMPLETENESS (% estimate)	FREQUENCY average daily	SINGLE DAYS MISSED	FULL MONTHS MISSED
<b>AIR TEMPERATURE</b>	MAY 1993	JUN 2021	98.5	12.0	26	0
1 8 5 0	1 9 0 0	1 9 0 0	1 9 5 0			
<b>DEW POINT</b>	MAY 1993	JUN 2021	97.8	12.0	39	2
1 8 5 0	1 9 0 0	1 9 0 0	1 9 5 0			
<b>MEAN SEA LEVEL PRESSURE</b>	MAY 1993	JUN 2021	98.5	12.0	26	0
1 8 5 0	1 9 0 0	1 9 0 0	1 9 5 0			
<b>TOTAL CLOUD AMOUNT</b>	APR 1995	JUN 2021	34.7	4.5	1638	141
1 8 5 0	1 9 0 0	1 9 0 0	1 9 5 0			
<b>WIND SPEED</b>	MAY 1993	JUN 2021	98.5	12.0	26	0
1 8 5 0	1 9 0 0	1 9 0 0	1 9 5 0			

**Historical metadata for this site has not been quality controlled for accuracy and completeness. Data other than current station information, particularly earlier than 1998, should be considered accordingly. Information may not be complete, as backfilling of historical data is incomplete.**

Prepared by the Bureau of Meteorology.

Contact us by phone on (03) 9669 4082, by fax on (03) 9669 4515, or by email on [climatedata@bom.gov.au](mailto:climatedata@bom.gov.au)

Station metadata is compiled for a range of internal purposes and varies in quality and completeness. The Bureau cannot provide any warranty nor accept any liability for this information. © Copyright Commonwealth of Australia 2021, Bureau of Meteorology.



## Basic Climatological Station Metadata

Current status

<b>Station:</b>	ALBURY AIRPORT AWS		<b>Location:</b>	ALBURY AIRPORT AWS		<b>State:</b>	NSW	
<b>Bureau No.:</b>	072160	<b>WMO No.:</b>	95896	<b>Aviation ID:</b>	YMAY	<b>Opened:</b>	01 Apr 1993	
<b>Latitude:</b>	-36.0690	<b>Longitude:</b>	146.9509	<b>Elevation:</b>	163.5 m	<b>Barometer Elev:</b>	164.5 m	
							<b>Current Status:</b>	Still open
							<b>Metadata compiled:</b>	27 JUL 2021

### THERE ARE NO RAINFALL INTENSITY DATA HOLDINGS

#### ONE-MINUTE DATA HOLDINGS

OBSERVATION TYPE	FIRST MONTH	LAST MONTH	COMPLETENESS (% estimate)	FREQUENCY average daily	SINGLE DAYS MISSED	FULL MONTHS MISSED
ALL ELEMENTS	SEP 2008	JUL 2021	98.2	1413.7	N/A	0

#### HALF-HOURLY DATA HOLDINGS

OBSERVATION TYPE	FIRST MONTH	LAST MONTH	COMPLETENESS (% estimate)	FREQUENCY average daily	SINGLE DAYS MISSED	FULL MONTHS MISSED
ALL ELEMENTS	APR 1993	JUL 2021	84.7	40.6	N/A	0

### THERE ARE NO UPPER-AIR EDT DATA HOLDINGS

#### Holdings calculated up to 01 Jul 2021

The % complete figure is the completeness of observations averaged over all months of record, for the given station and observation type, taking gaps into account. For hourly holdings, the completeness is relative to the maximum number of daily observations for the site each month, and is therefore an estimate. For daily holdings, the completeness figure shown is exact.

The single days missed figure is the total number of days for which no observation was received, not including full missed months. The full months missed figure is the total of full month gaps over the period of record. Where an element is not included assumptions can generally be made about availability, and the list to use has been suggested below.

#### Unlisted element

Minimum air temperature  
Wet bulb temperature  
Soil temperature at 20, 50 & 100cm  
Relative humidity  
Minimum temp. of water in evaporimeter  
Visual observations eg. weather, visibility  
Sea related observations

#### Listed element to use

Maximum air temperature  
Dew point  
10cm soil temperature  
Dew point  
Evaporimeter - max water temp  
Total cloud amount  
Sea state

**Historical metadata for this site has not been quality controlled for accuracy and completeness. Data other than current station information, particularly earlier than 1998, should be considered accordingly. Information may not be complete, as backfilling of historical data is incomplete.**

Prepared by the Bureau of Meteorology.

Contact us by phone on (03) 9669 4082, by fax on (03) 9669 4515, or by email on [climatedata@bom.gov.au](mailto:climatedata@bom.gov.au)

Station metadata is compiled for a range of internal purposes and varies in quality and completeness. The Bureau cannot provide any warranty nor accept any liability for this information. © Copyright Commonwealth of Australia 2021, Bureau of Meteorology.



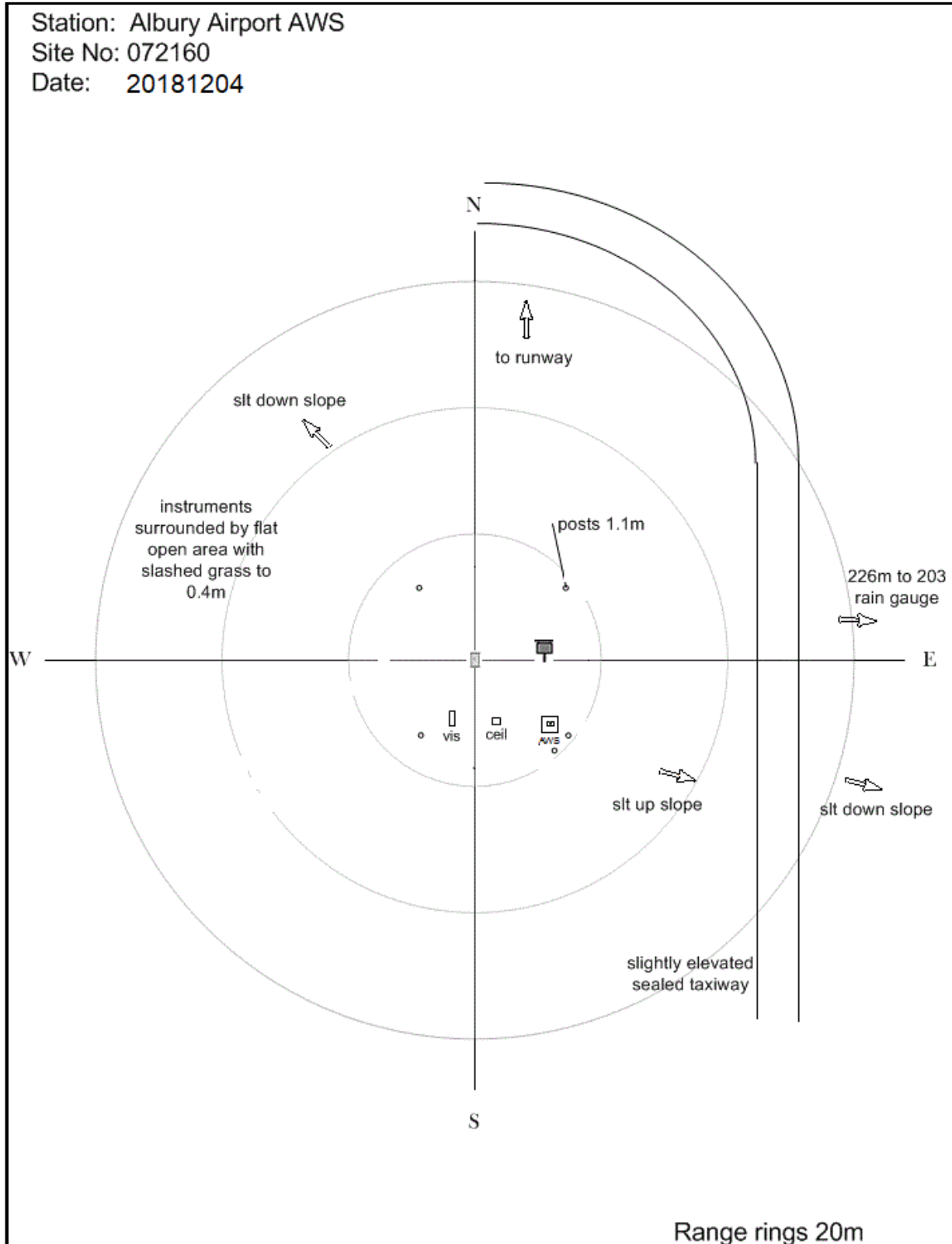
## Extended Climatological Station Metadata

All History

<b>Station:</b> ALBURY AIRPORT AWS			<b>Location:</b> ALBURY AIRPORT AWS			<b>State:</b> NSW
<b>Bureau No.:</b> 072160	<b>WMO No.:</b> 95896		<b>Aviation ID:</b> YMAY	<b>Opened:</b> 01 Apr 1993		<b>Current Status:</b> Still open
<b>Latitude:</b> -36.0690	<b>Longitude:</b> 146.9509		<b>Elevation:</b> 163.5 m	<b>Barometer Elev:</b> 164.5 m		<b>Metadata compiled:</b> 27 JUL 2021

### Instrument Location and Surrounding Features

04/12/2018(most recent)



**Historical metadata for this site has not been quality controlled for accuracy and completeness. Data other than current station information, particularly earlier than 1998, should be considered accordingly. Information may not be complete, as backfilling of historical data is incomplete.**

Prepared by the Bureau of Meteorology.

Contact us by phone on (03) 9669 4082, by fax on (03) 9669 4515, or by email on [climatedata@bom.gov.au](mailto:climatedata@bom.gov.au)

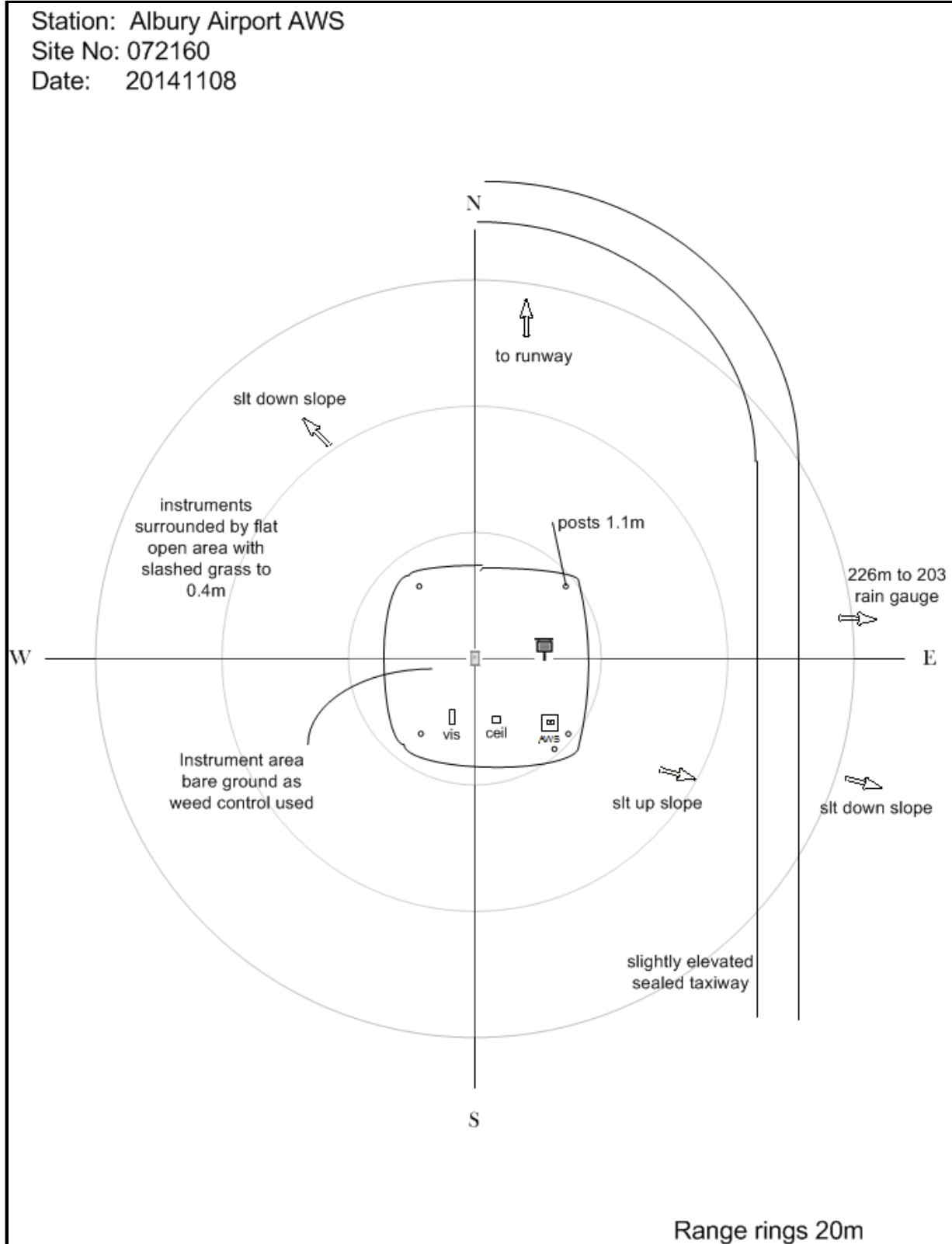
Station metadata is compiled for a range of internal purposes and varies in quality and completeness. The Bureau cannot provide any warranty nor accept any liability for this information. © Copyright Commonwealth of Australia 2021, Bureau of Meteorology.



Extended Climatological Station Metadata  
All History

<b>Station:</b> ALBURY AIRPORT AWS	<b>Location:</b> ALBURY AIRPORT AWS		<b>State:</b> NSW	
<b>Bureau No.:</b> 072160	<b>WMO No.:</b> 95896	<b>Aviation ID:</b> YMAY	<b>Opened:</b> 01 Apr 1993	<b>Current Status:</b> Still open
<b>Latitude:</b> -36.0690	<b>Longitude:</b> 146.9509	<b>Elevation:</b> 163.5 m	<b>Barometer Elev:</b> 164.5 m	<b>Metadata compiled:</b> 27 JUL 2021

**Instrument Location and Surrounding Features**  
08/11/2014



Historical metadata for this site has not been quality controlled for accuracy and completeness. Data other than current station information, particularly earlier than 1998, should be considered accordingly. Information may not be complete, as backfilling of historical data is incomplete.

Prepared by the Bureau of Meteorology.

Contact us by phone on (03) 9669 4082, by fax on (03) 9669 4515, or by email on [climatedata@bom.gov.au](mailto:climatedata@bom.gov.au)

Station metadata is compiled for a range of internal purposes and varies in quality and completeness. The Bureau cannot provide any warranty nor accept any liability for this information. © Copyright Commonwealth of Australia 2021, Bureau of Meteorology.



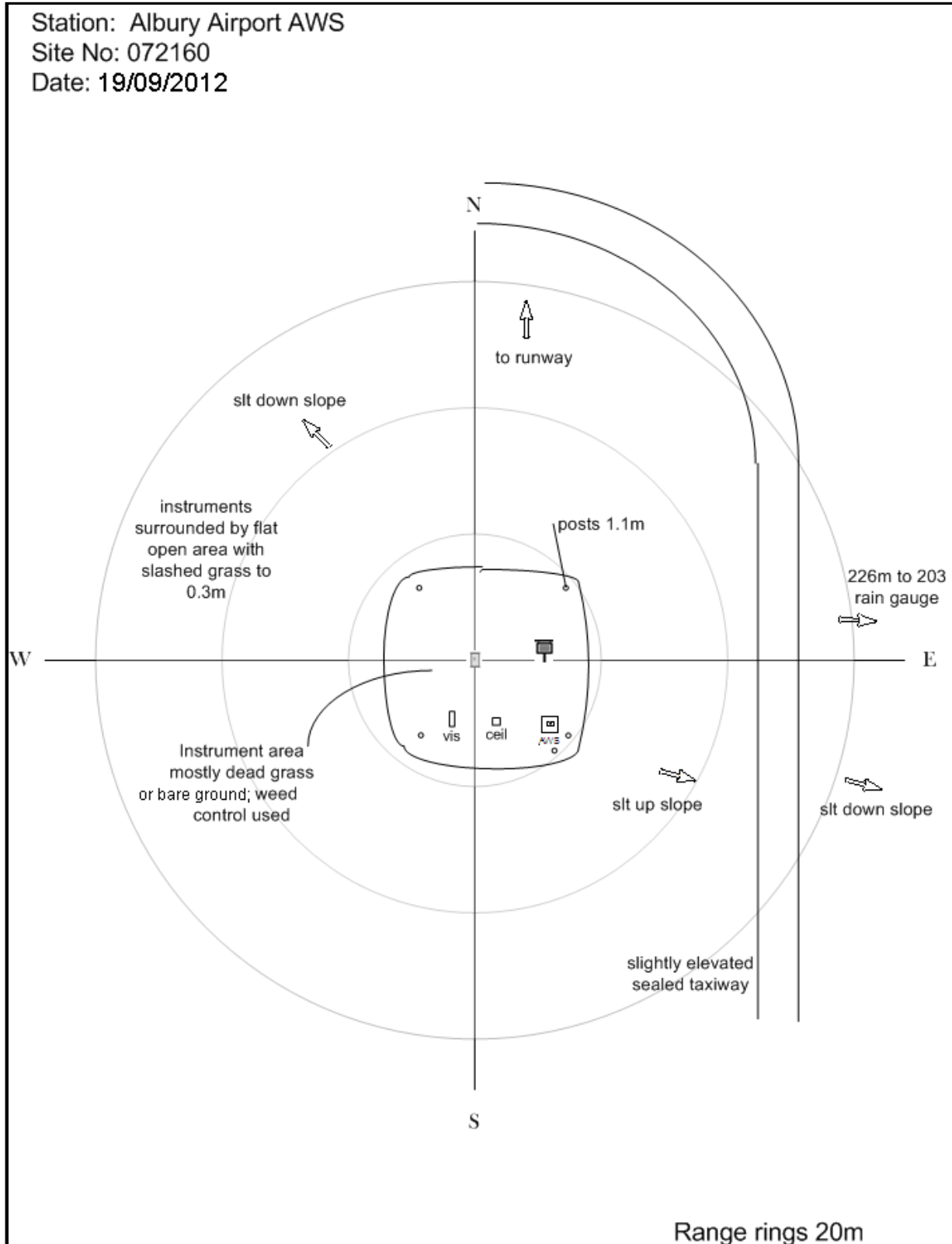
## Extended Climatological Station Metadata

All History

<b>Station:</b> ALBURY AIRPORT AWS	<b>Location:</b> ALBURY AIRPORT AWS		<b>State:</b> NSW	
<b>Bureau No.:</b> 072160	<b>WMO No.:</b> 95896	<b>Aviation ID:</b> YMAY	<b>Opened:</b> 01 Apr 1993	<b>Current Status:</b> Still open
<b>Latitude:</b> -36.0690	<b>Longitude:</b> 146.9509	<b>Elevation:</b> 163.5 m	<b>Barometer Elev:</b> 164.5 m	<b>Metadata compiled:</b> 27 JUL 2021

### Instrument Location and Surrounding Features

19/09/2012



**Historical metadata for this site has not been quality controlled for accuracy and completeness. Data other than current station information, particularly earlier than 1998, should be considered accordingly. Information may not be complete, as backfilling of historical data is incomplete.**

Prepared by the Bureau of Meteorology.

Contact us by phone on (03) 9669 4082, by fax on (03) 9669 4515, or by email on [climatedata@bom.gov.au](mailto:climatedata@bom.gov.au)

Station metadata is compiled for a range of internal purposes and varies in quality and completeness. The Bureau cannot provide any warranty nor accept any liability for this information. © Copyright Commonwealth of Australia 2021, Bureau of Meteorology.



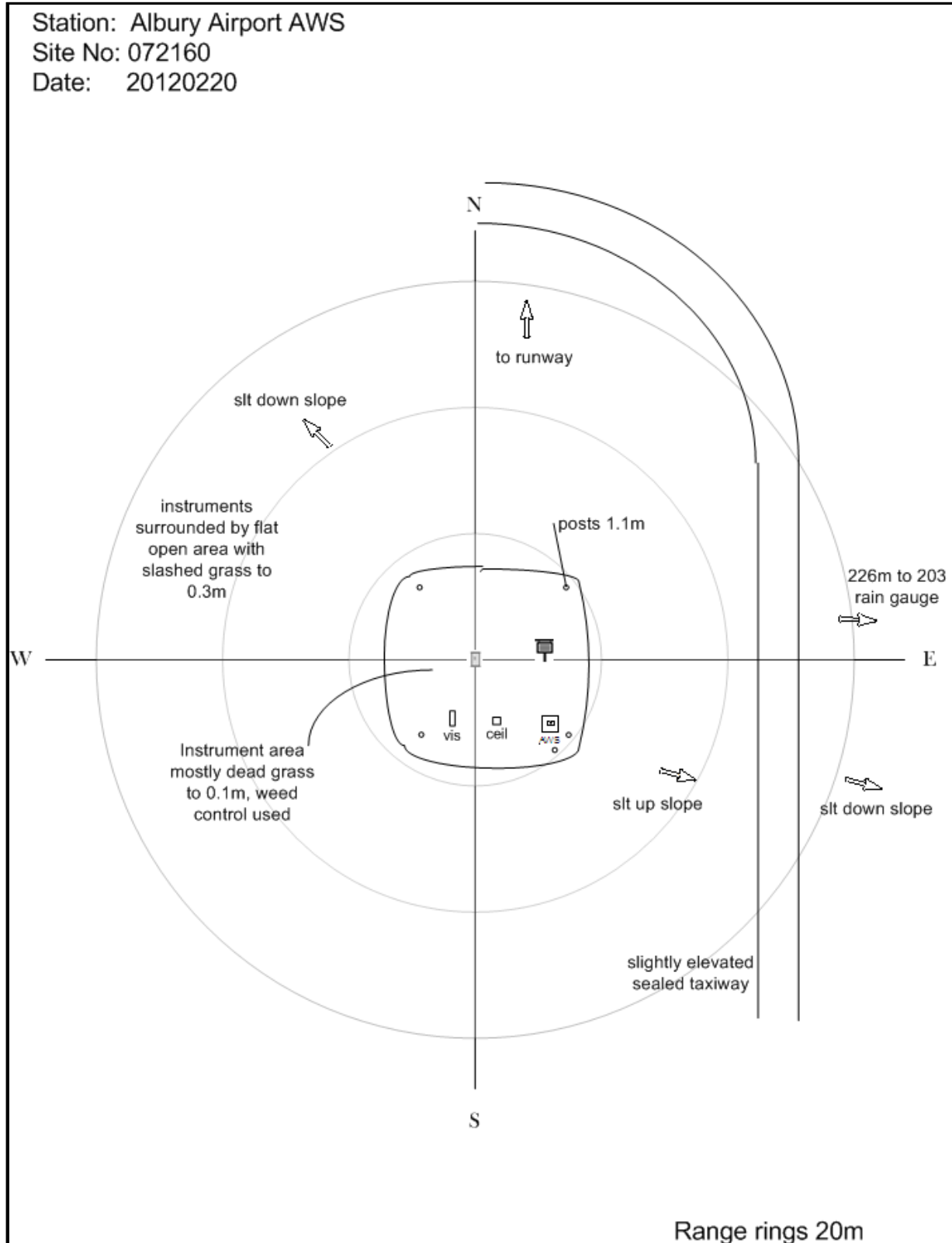
## Extended Climatological Station Metadata

All History

<b>Station:</b> ALBURY AIRPORT AWS	<b>Location:</b> ALBURY AIRPORT AWS		<b>State:</b> NSW	
<b>Bureau No.:</b> 072160	<b>WMO No.:</b> 95896	<b>Aviation ID:</b> YMAY	<b>Opened:</b> 01 Apr 1993	<b>Current Status:</b> Still open
<b>Latitude:</b> -36.0690	<b>Longitude:</b> 146.9509	<b>Elevation:</b> 163.5 m	<b>Barometer Elev:</b> 164.5 m	<b>Metadata compiled:</b> 27 JUL 2021

### Instrument Location and Surrounding Features

20/02/2012



**Historical metadata for this site has not been quality controlled for accuracy and completeness. Data other than current station information, particularly earlier than 1998, should be considered accordingly. Information may not be complete, as backfilling of historical data is incomplete.**

Prepared by the Bureau of Meteorology.

Contact us by phone on (03) 9669 4082, by fax on (03) 9669 4515, or by email on [climatedata@bom.gov.au](mailto:climatedata@bom.gov.au)

Station metadata is compiled for a range of internal purposes and varies in quality and completeness. The Bureau cannot provide any warranty nor accept any liability for this information. © Copyright Commonwealth of Australia 2021, Bureau of Meteorology.



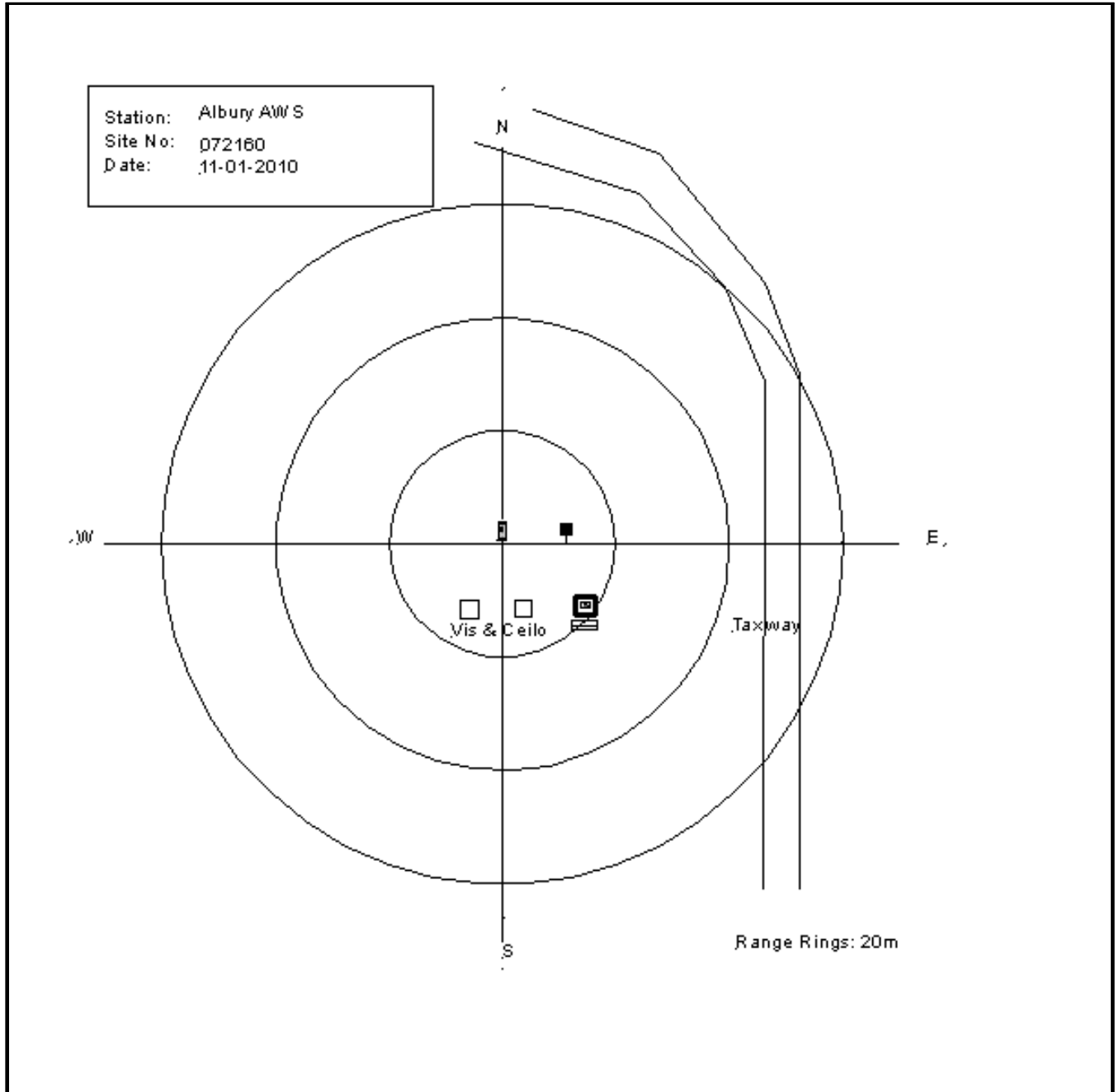
## Extended Climatological Station Metadata

All History

<b>Station:</b> ALBURY AIRPORT AWS	<b>Location:</b> ALBURY AIRPORT AWS		<b>State:</b> NSW	
<b>Bureau No.:</b> 072160	<b>WMO No.:</b> 95896	<b>Aviation ID:</b> YMAY	<b>Opened:</b> 01 Apr 1993	<b>Current Status:</b> Still open
<b>Latitude:</b> -36.0690	<b>Longitude:</b> 146.9509	<b>Elevation:</b> 163.5 m	<b>Barometer Elev:</b> 164.5 m	<b>Metadata compiled:</b> 27 JUL 2021

### Instrument Location and Surrounding Features

11/01/2010



**Historical metadata for this site has not been quality controlled for accuracy and completeness. Data other than current station information, particularly earlier than 1998, should be considered accordingly. Information may not be complete, as backfilling of historical data is incomplete.**

Prepared by the Bureau of Meteorology.

Contact us by phone on (03) 9669 4082, by fax on (03) 9669 4515, or by email on [climatedata@bom.gov.au](mailto:climatedata@bom.gov.au)

Station metadata is compiled for a range of internal purposes and varies in quality and completeness. The Bureau cannot provide any warranty nor accept any liability for this information. © Copyright Commonwealth of Australia 2021, Bureau of Meteorology.





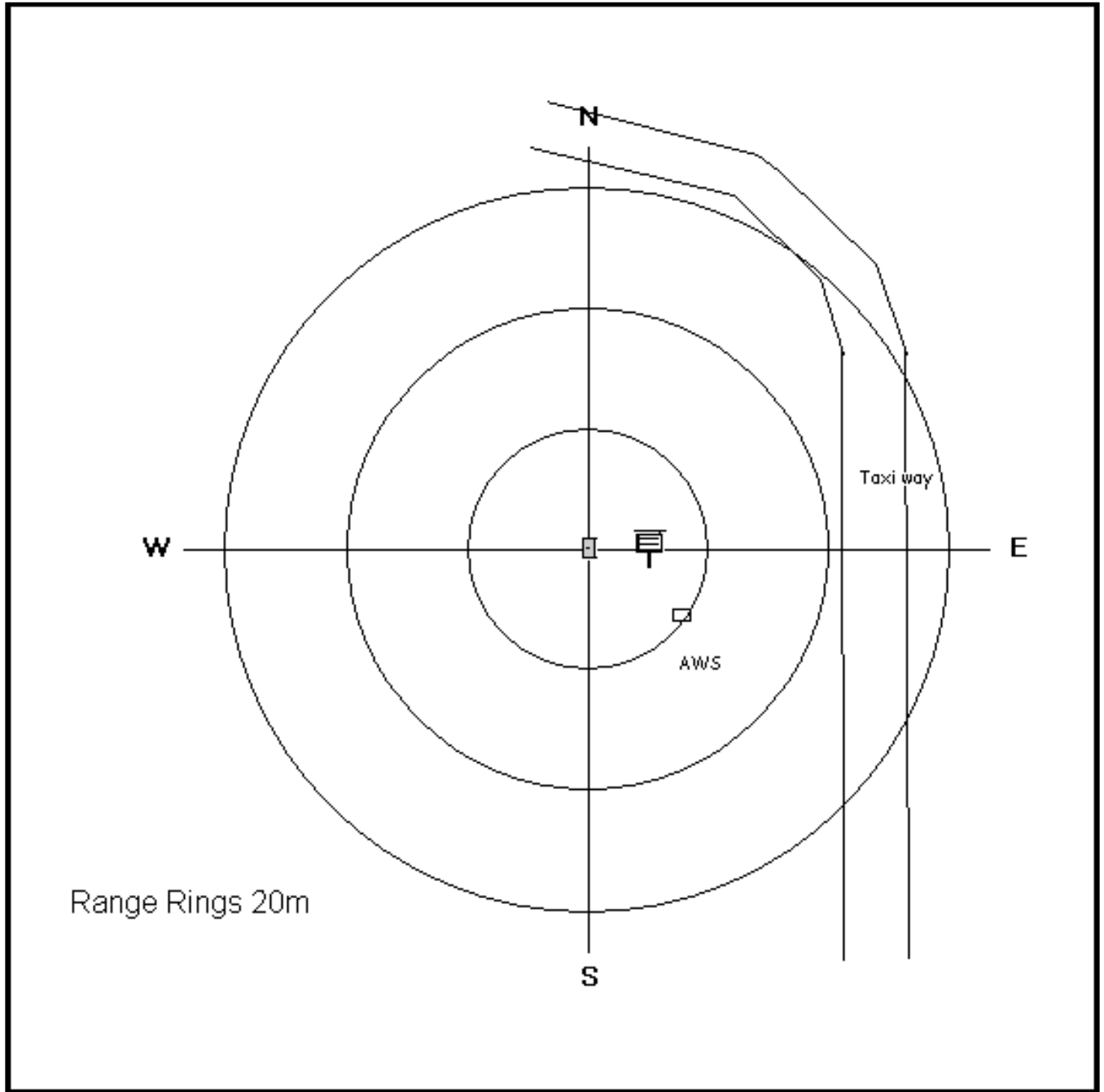
## Extended Climatological Station Metadata

All History

<b>Station:</b> ALBURY AIRPORT AWS	<b>Location:</b> ALBURY AIRPORT AWS		<b>State:</b> NSW	
<b>Bureau No.:</b> 072160	<b>WMO No.:</b> 95896	<b>Aviation ID:</b> YMAY	<b>Opened:</b> 01 Apr 1993	<b>Current Status:</b> Still open
<b>Latitude:</b> -36.0690	<b>Longitude:</b> 146.9509	<b>Elevation:</b> 163.5 m	<b>Barometer Elev:</b> 164.5 m	<b>Metadata compiled:</b> 27 JUL 2021

### Instrument Location and Surrounding Features

28/08/2004



**Historical metadata for this site has not been quality controlled for accuracy and completeness. Data other than current station information, particularly earlier than 1998, should be considered accordingly. Information may not be complete, as backfilling of historical data is incomplete.**

Prepared by the Bureau of Meteorology.

Contact us by phone on (03) 9669 4082, by fax on (03) 9669 4515, or by email on [climatedata@bom.gov.au](mailto:climatedata@bom.gov.au)

Station metadata is compiled for a range of internal purposes and varies in quality and completeness. The Bureau cannot provide any warranty nor accept any liability for this information. © Copyright Commonwealth of Australia 2021, Bureau of Meteorology.



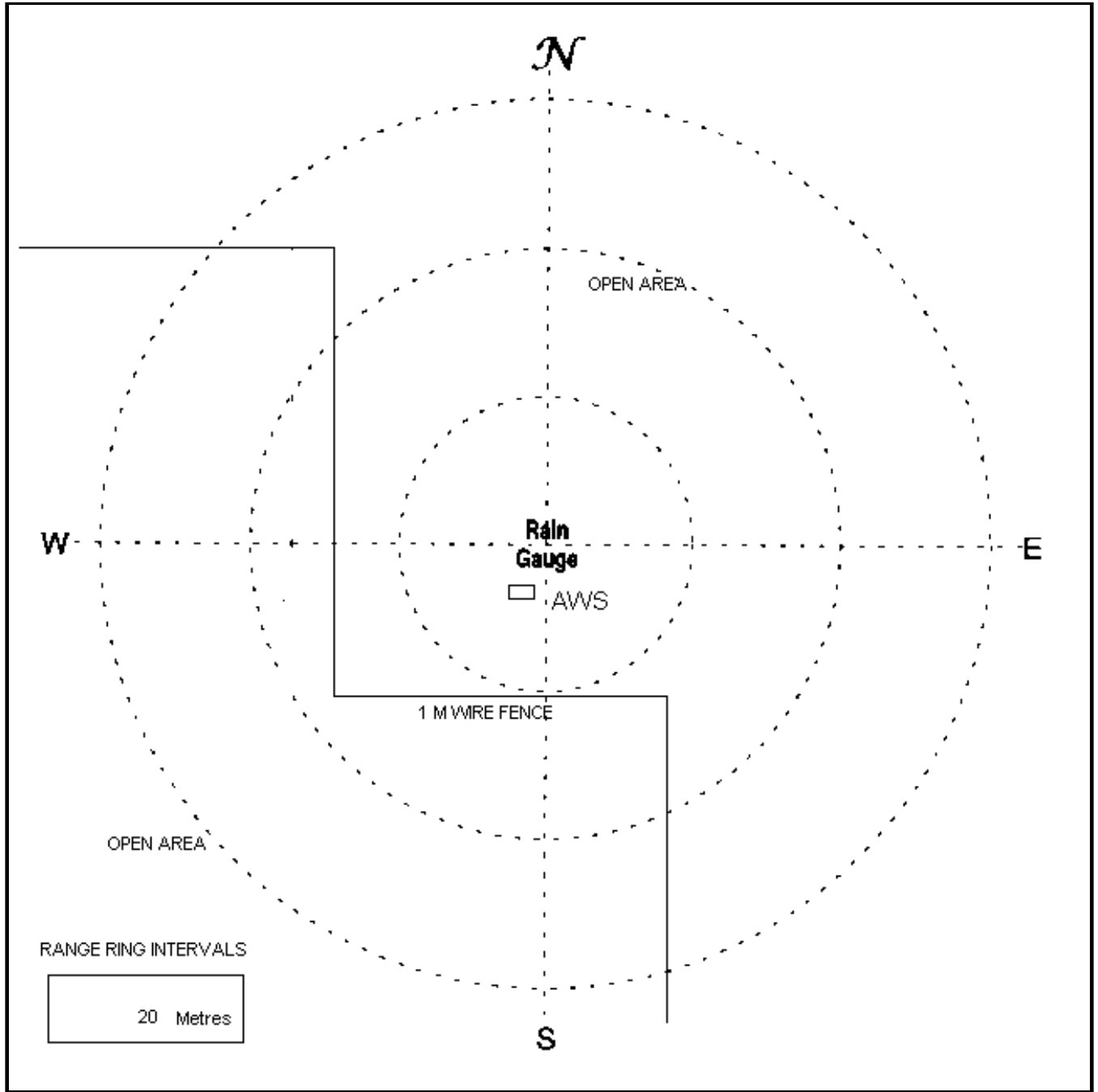
## Extended Climatological Station Metadata

All History

<b>Station:</b> ALBURY AIRPORT AWS	<b>Location:</b> ALBURY AIRPORT AWS		<b>State:</b> NSW	
<b>Bureau No.:</b> 072160	<b>WMO No.:</b> 95896	<b>Aviation ID:</b> YMAY	<b>Opened:</b> 01 Apr 1993	<b>Current Status:</b> Still open
<b>Latitude:</b> -36.0690	<b>Longitude:</b> 146.9509	<b>Elevation:</b> 163.5 m	<b>Barometer Elev:</b> 164.5 m	<b>Metadata compiled:</b> 27 JUL 2021

### Instrument Location and Surrounding Features

14/02/2001



**Historical metadata for this site has not been quality controlled for accuracy and completeness. Data other than current station information, particularly earlier than 1998, should be considered accordingly. Information may not be complete, as backfilling of historical data is incomplete.**

Prepared by the Bureau of Meteorology.

Contact us by phone on (03) 9669 4082, by fax on (03) 9669 4515, or by email on [climatedata@bom.gov.au](mailto:climatedata@bom.gov.au)

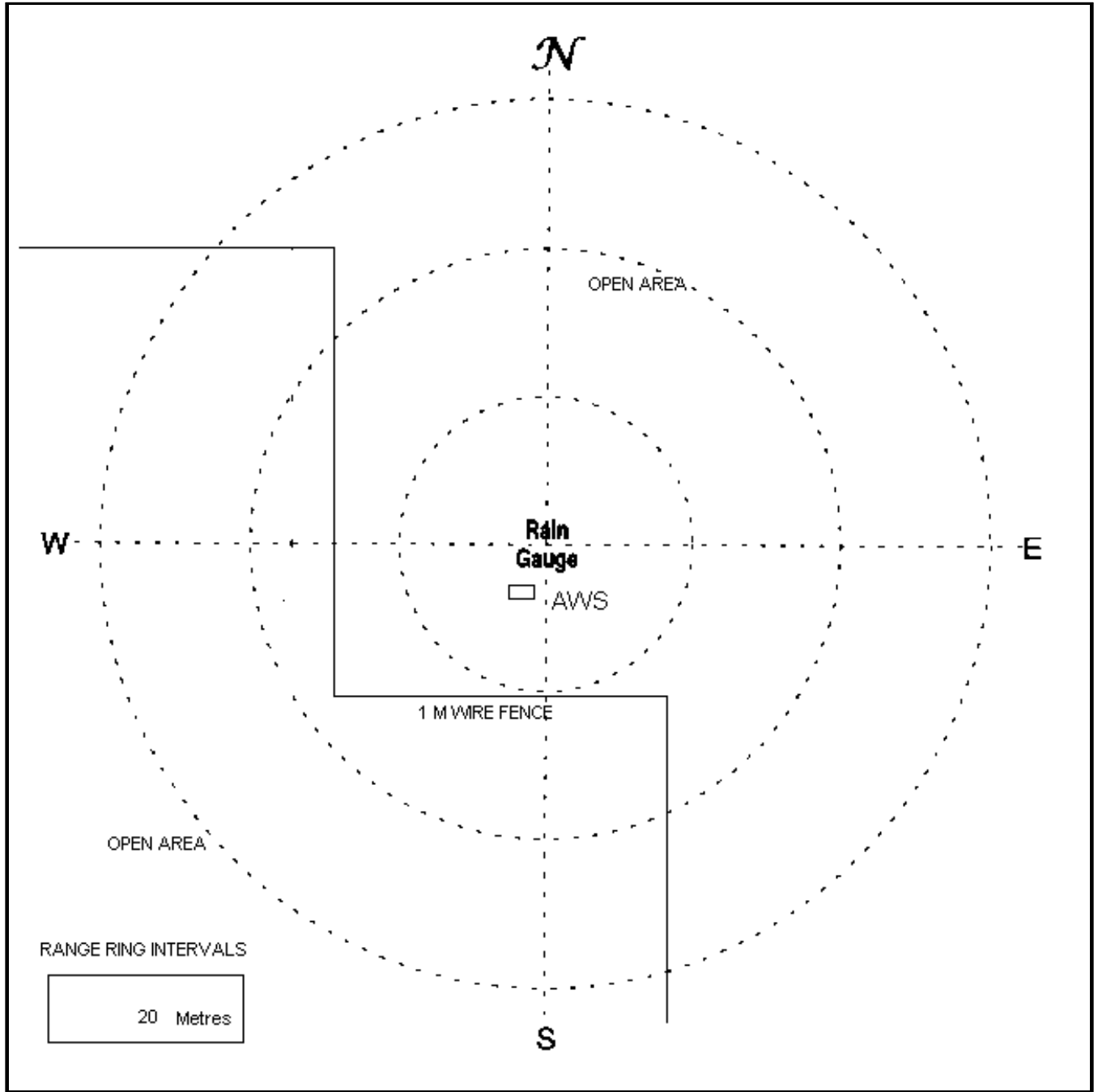
Station metadata is compiled for a range of internal purposes and varies in quality and completeness. The Bureau cannot provide any warranty nor accept any liability for this information. © Copyright Commonwealth of Australia 2021, Bureau of Meteorology.



Extended Climatological Station Metadata  
All History

<b>Station:</b> ALBURY AIRPORT AWS	<b>Location:</b> ALBURY AIRPORT AWS		<b>State:</b> NSW	
<b>Bureau No.:</b> 072160	<b>WMO No.:</b> 95896	<b>Aviation ID:</b> YMAY	<b>Opened:</b> 01 Apr 1993	<b>Current Status:</b> Still open
<b>Latitude:</b> -36.0690	<b>Longitude:</b> 146.9509	<b>Elevation:</b> 163.5 m	<b>Barometer Elev:</b> 164.5 m	<b>Metadata compiled:</b> 27 JUL 2021

**Instrument Location and Surrounding Features**  
02/12/1998



Historical metadata for this site has not been quality controlled for accuracy and completeness. Data other than current station information, particularly earlier than 1998, should be considered accordingly. Information may not be complete, as backfilling of historical data is incomplete.

Prepared by the Bureau of Meteorology.

Contact us by phone on (03) 9669 4082, by fax on (03) 9669 4515, or by email on [climatedata@bom.gov.au](mailto:climatedata@bom.gov.au)

Station metadata is compiled for a range of internal purposes and varies in quality and completeness. The Bureau cannot provide any warranty nor accept any liability for this information. © Copyright Commonwealth of Australia 2021, Bureau of Meteorology.



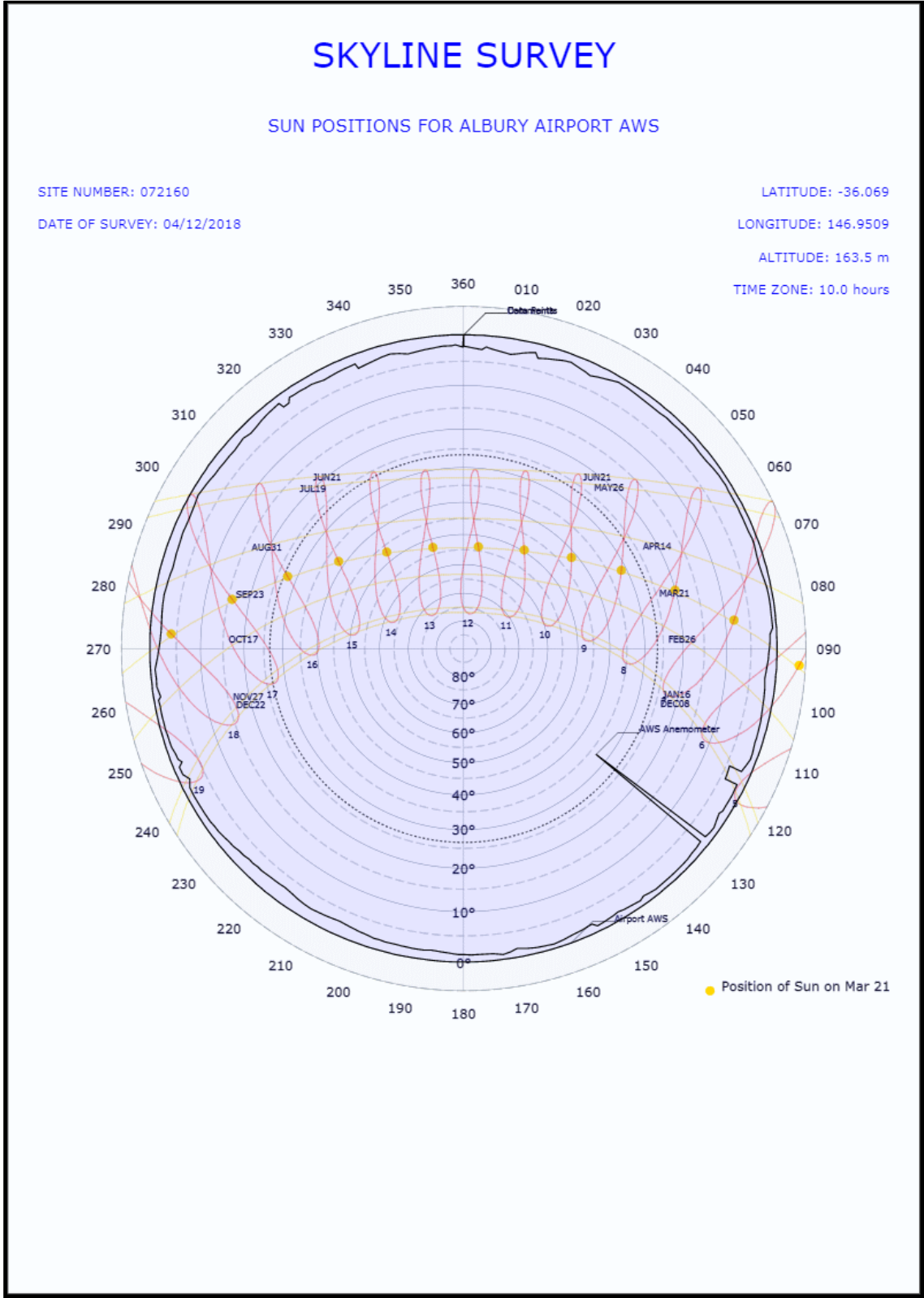
## Extended Climatological Station Metadata

All History

<b>Station:</b> ALBURY AIRPORT AWS	<b>Location:</b> ALBURY AIRPORT AWS	<b>State:</b> NSW
<b>Bureau No.:</b> 072160	<b>WMO No.:</b> 95896	<b>Aviation ID:</b> YMAY
<b>Latitude:</b> -36.0690	<b>Longitude:</b> 146.9509	<b>Elevation:</b> 163.5 m
	<b>Barometer Elev:</b> 164.5 m	<b>Opened:</b> 01 Apr 1993
		<b>Current Status:</b> Still open
		<b>Metadata compiled:</b> 27 JUL 2021

### Skyline Diagram

04/12/2018(most recent)



**Historical metadata for this site has not been quality controlled for accuracy and completeness. Data other than current station information, particularly earlier than 1998, should be considered accordingly. Information may not be complete, as backfilling of historical data is incomplete.**

Prepared by the Bureau of Meteorology.

Contact us by phone on (03) 9669 4082, by fax on (03) 9669 4515, or by email on [climatedata@bom.gov.au](mailto:climatedata@bom.gov.au)

Station metadata is compiled for a range of internal purposes and varies in quality and completeness. The Bureau cannot provide any warranty nor accept any liability for this information. © Copyright Commonwealth of Australia 2021, Bureau of Meteorology.



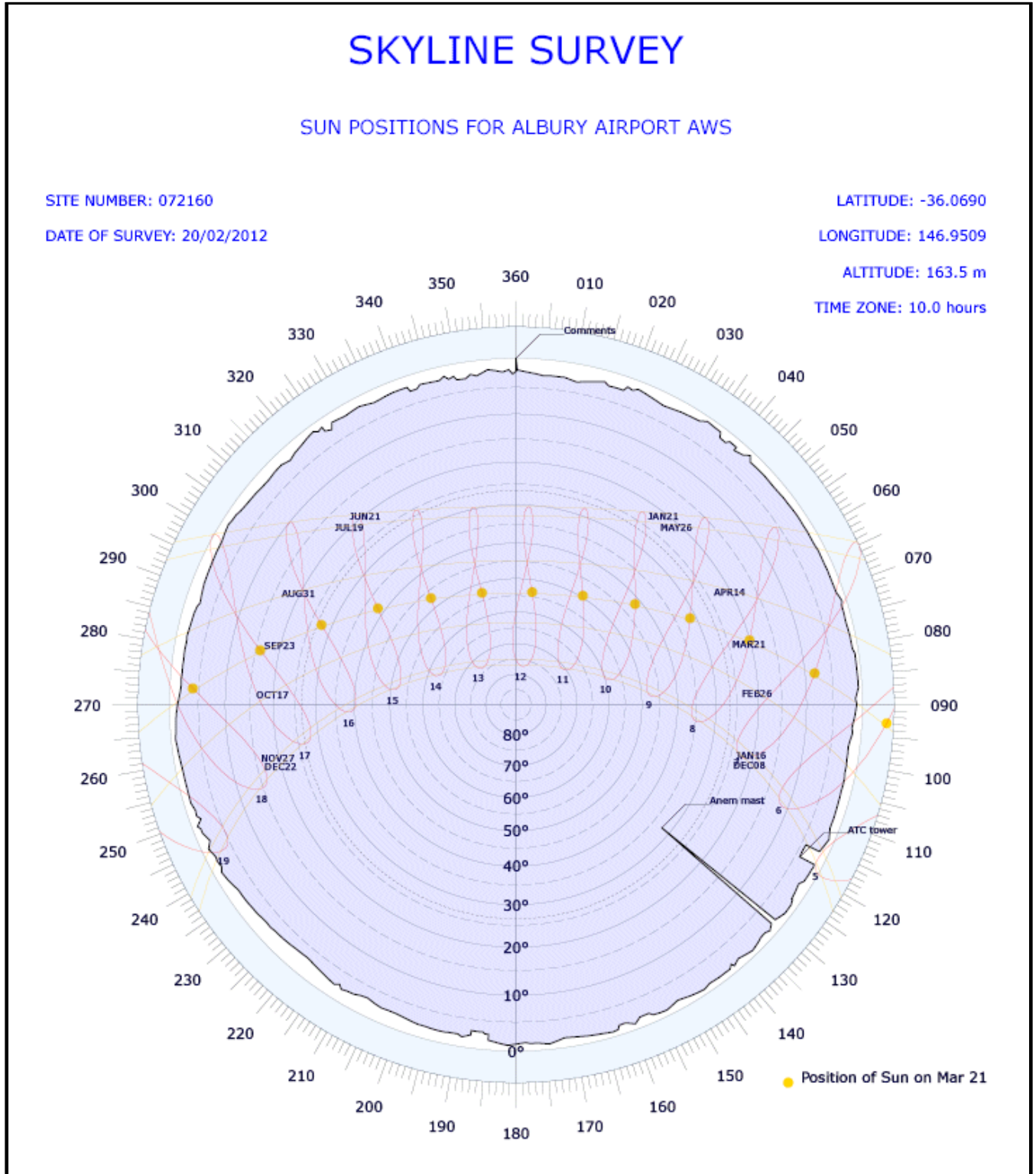
## Extended Climatological Station Metadata

All History

<b>Station:</b> ALBURY AIRPORT AWS	<b>Location:</b> ALBURY AIRPORT AWS	<b>State:</b> NSW
<b>Bureau No.:</b> 072160	<b>WMO No.:</b> 95896	<b>Aviation ID:</b> YMAY
<b>Latitude:</b> -36.0690	<b>Longitude:</b> 146.9509	<b>Elevation:</b> 163.5 m
	<b>Barometer Elev:</b> 164.5 m	<b>Opened:</b> 01 Apr 1993
		<b>Current Status:</b> Still open
		<b>Metadata compiled:</b> 27 JUL 2021

### Skyline Diagram

20/02/2012



Historical metadata for this site has not been quality controlled for accuracy and completeness. Data other than current station information, particularly earlier than 1998, should be considered accordingly. Information may not be complete, as backfilling of historical data is incomplete.

Prepared by the Bureau of Meteorology.

Contact us by phone on (03) 9669 4082, by fax on (03) 9669 4515, or by email on [climatedata@bom.gov.au](mailto:climatedata@bom.gov.au)

Station metadata is compiled for a range of internal purposes and varies in quality and completeness. The Bureau cannot provide any warranty nor accept any liability for this information. © Copyright Commonwealth of Australia 2021, Bureau of Meteorology.



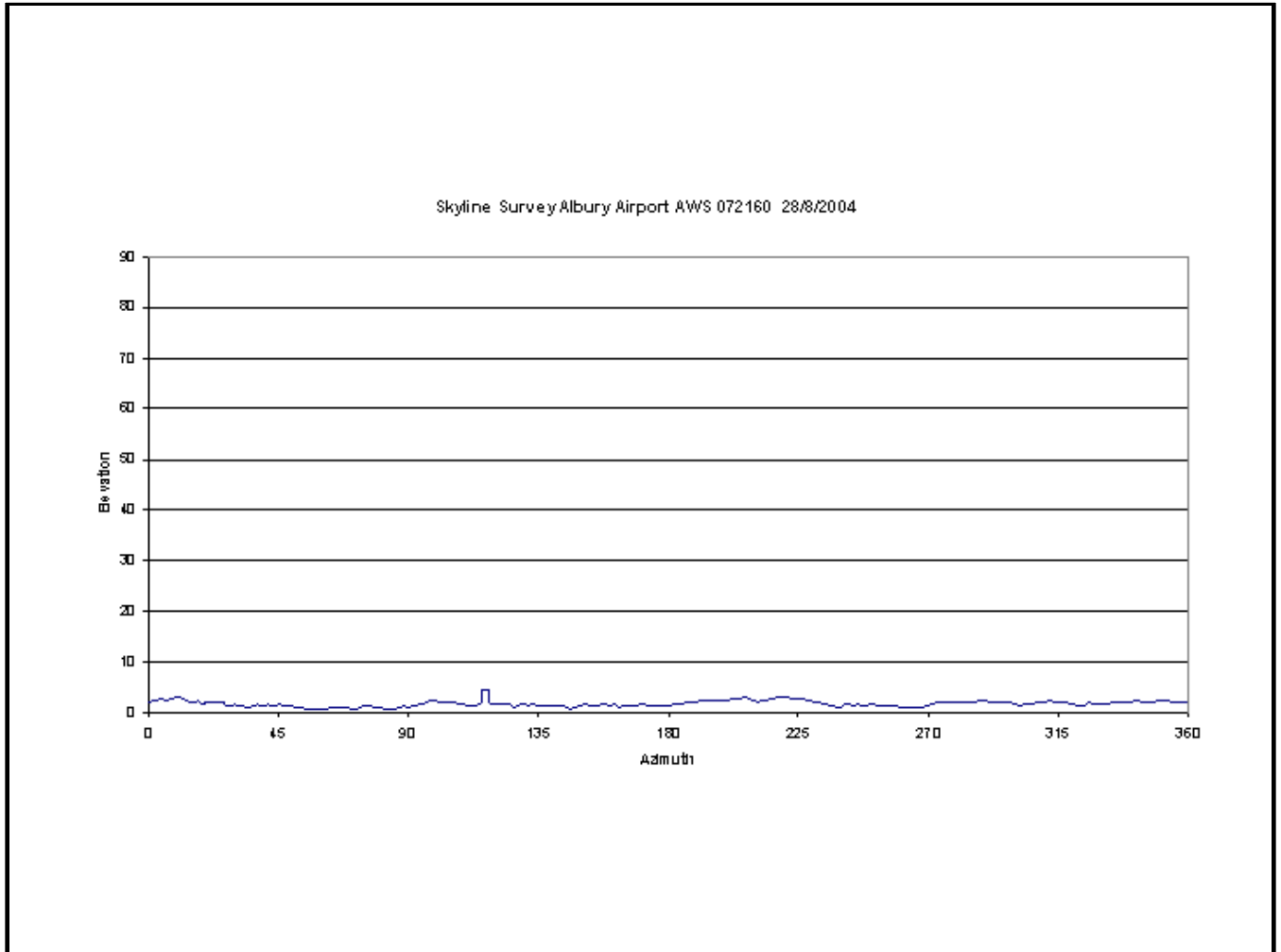
## Extended Climatological Station Metadata

All History

<b>Station:</b> ALBURY AIRPORT AWS	<b>Location:</b> ALBURY AIRPORT AWS			<b>State:</b> NSW
<b>Bureau No.:</b> 072160	<b>WMO No.:</b> 95896	<b>Aviation ID:</b> YMAY	<b>Opened:</b> 01 Apr 1993	<b>Current Status:</b> Still open
<b>Latitude:</b> -36.0690	<b>Longitude:</b> 146.9509	<b>Elevation:</b> 163.5 m	<b>Barometer Elev:</b> 164.5 m	<b>Metadata compiled:</b> 27 JUL 2021

### Skyline Diagram

28/08/2004



**Historical metadata for this site has not been quality controlled for accuracy and completeness. Data other than current station information, particularly earlier than 1998, should be considered accordingly. Information may not be complete, as backfilling of historical data is incomplete.**

Prepared by the Bureau of Meteorology.

Contact us by phone on (03) 9669 4082, by fax on (03) 9669 4515, or by email on [climatedata@bom.gov.au](mailto:climatedata@bom.gov.au)

Station metadata is compiled for a range of internal purposes and varies in quality and completeness. The Bureau cannot provide any warranty nor accept any liability for this information. © Copyright Commonwealth of Australia 2021, Bureau of Meteorology.



## Extended Climatological Station Metadata

All History

<b>Station:</b> ALBURY AIRPORT AWS	<b>Location:</b> ALBURY AIRPORT AWS			<b>State:</b> NSW
<b>Bureau No.:</b> 072160	<b>WMO No.:</b> 95896	<b>Aviation ID:</b> YMAY	<b>Opened:</b> 01 Apr 1993	<b>Current Status:</b> Still open
<b>Latitude:</b> -36.0690	<b>Longitude:</b> 146.9509	<b>Elevation:</b> 163.5 m	<b>Barometer Elev:</b> 164.5 m	<b>Metadata compiled:</b> 27 JUL 2021

### Station Observation Program Summary (Surface Observations) from 01/04/1993 to 14/09/2007

Current Observation	Continuous	Half Hourly	Hourly
Surface Observations	-	-	Y

Current Observation	Program Type	12 AM	3 AM	6 AM	9 AM	12 PM	3 PM	6 AM	9 AM
Surface Observation	PERFORMED	Y	Y	Y	Y	Y	Y	Y	Y
Surface Observation	REPORTED	Y	Y	Y	Y	Y	Y	Y	Y
Surface Observation	SEASONAL	-	-	-	-	-	-	-	-

### Station Observation Program Summary (Surface Observations) from 14/09/2007 to 17/09/2008

Current Observation	Continuous	Half Hourly	Hourly
Surface Observations	-	Y	Y

Current Observation	Program Type	12 AM	3 AM	6 AM	9 AM	12 PM	3 PM	6 AM	9 AM
Surface Observation	PERFORMED	Y	Y	Y	Y	Y	Y	Y	Y
Surface Observation	REPORTED	Y	Y	Y	Y	Y	Y	Y	Y
Surface Observation	SEASONAL	-	-	-	-	-	-	-	-

### Station Observation Program Summary (Surface Observations) from 17/09/2008 to 18/09/2008

Current Observation	Continuous	Half Hourly	Hourly
Surface Observations	Y	Y	Y

Current Observation	Program Type	12 AM	3 AM	6 AM	9 AM	12 PM	3 PM	6 AM	9 AM
Surface Observation	PERFORMED	Y	Y	Y	Y	Y	Y	Y	Y
Surface Observation	REPORTED	Y	Y	Y	Y	Y	Y	Y	Y
Surface Observation	SEASONAL	-	-	-	-	-	-	-	-

### Station Observation Program Summary (Surface Observations) 27 JUL 2021 (most recent)

Current Observation	Continuous	Half Hourly	Hourly
Surface Observations	Y	Y	Y

Current Observation	Program Type	12 AM	3 AM	6 AM	9 AM	12 PM	3 PM	6 AM	9 AM
Surface Observation	PERFORMED	Y	Y	Y	Y	Y	Y	Y	Y
Surface Observation	REPORTED	Y	Y	Y	Y	Y	Y	Y	Y
Surface Observation	SEASONAL	-	-	-	-	-	-	-	-

Historical metadata for this site has not been quality controlled for accuracy and completeness. Data other than current station information, particularly earlier than 1998, should be considered accordingly. Information may not be complete, as backfilling of historical data is incomplete.

Prepared by the Bureau of Meteorology.

Contact us by phone on (03) 9669 4082, by fax on (03) 9669 4515, or by email on [climatedata@bom.gov.au](mailto:climatedata@bom.gov.au)

Station metadata is compiled for a range of internal purposes and varies in quality and completeness. The Bureau cannot provide any warranty nor accept any liability for this information. © Copyright Commonwealth of Australia 2021, Bureau of Meteorology.



## Extended Climatological Station Metadata

All History

<b>Station:</b> ALBURY AIRPORT AWS			<b>Location:</b> ALBURY AIRPORT AWS			<b>State:</b> NSW
<b>Bureau No.:</b> 072160	<b>WMO No.:</b> 95896		<b>Aviation ID:</b> YMAY	<b>Opened:</b> 01 Apr 1993		<b>Current Status:</b> Still open
<b>Latitude:</b> -36.0690	<b>Longitude:</b> 146.9509		<b>Elevation:</b> 163.5 m	<b>Barometer Elev:</b> 164.5 m		<b>Metadata compiled:</b> 27 JUL 2021

### Station Equipment History

#### Equipment Install/Remove

##### Cloud Height

07/DEC/2006 INSTALL Ceilometer (Type Vaisala CT25K S/N - B14202) Surface Observations  
 16/MAR/2016 REPLACE Ceilometer (Now Vaisala CL31 S/N - D0720006) Surface Observations  
 04/JUN/2014 REPLACE Ceilometer (Now Vaisala CL31 S/N - J3510005) Surface Observations  
 02/AUG/2011 REPLACE Ceilometer (Now Vaisala CT25K S/N - A50402) Surface Observations  
 08/SEP/2011 REPLACE Ceilometer (Now Vaisala CT25K S/N - A50402) Surface Observations  
 09/SEP/2011 REPLACE Ceilometer (Now Vaisala CT25K S/N - V01404) Surface Observations  
 01/APR/1993 INSTALL Cloud Base Searchlight (Type 63 Degree S/N - NONE) Surface Observations  
 19/MAY/2011 REMOVE Cloud Base Searchlight (Type 63 Degree S/N - NONE) Surface Observations

##### River Height (No Electronic History)

##### Wind Run (No Electronic History)

##### Spectral Radiation (No Electronic History)

##### Sea Surface Temperature (No Electronic History)

##### Sea Water Temperature (No Electronic History)

##### Evaporation (No Electronic History)

##### Minimum Temperature (No Electronic History)

##### Soil Temperature 50cm (No Electronic History)

##### Sub Surface Temperature (No Electronic History)

##### Electrical Conductivity (No Electronic History)

##### Maximum Temperature (No Electronic History)

##### Soil Temperature 20cm (No Electronic History)

##### Solar Radiation (No Electronic History)

##### Soil Temperature 5cm (No Electronic History)

##### Oxygen Content (No Electronic History)

##### Sea Water Level (No Electronic History)

##### Surface Inclination (No Electronic History)

##### Terrestrial Minimum Temperature (No Electronic History)

##### Visibility

07/DEC/2006 INSTALL Visibility Meter (Type Vaisala FD12 S/N - B03105) Surface Observations

##### Solar Radiation (Direct) (No Electronic History)

##### Magnetic Bearing (No Electronic History)

##### Wind Direction

01/APR/1993 INSTALL Anemometer (Type Synchrotac Cups - Type 732 S/N - 65507) Surface Observations  
 01/APR/1993 INSTALL Anemometer (Type Synchrotac Vane - Type 706 S/N - 4224926) Surface Observations  
 01/APR/1993 INSTALL Mast Anemometer (Type Pivot, Standard 8m S/N - NONE) Infrastructure  
 05/JUN/2013 REPLACE Anemometer (Now Synchrotac Cups - Type 732 S/N - 78285) Surface Observations  
 05/JUN/2013 REPLACE Anemometer (Now Synchrotac Vane - Type 706 S/N - 7494840) Surface Observations

##### Air Temperature

01/APR/1993 INSTALL Humidity Probe (Type Rotronics S/N - 11666020) Surface Observations  
 31/MAY/2019 REPLACE Humidity Probe (Now Rotronics MP300-001 S/N - 1902000/13) Surface Observations  
 28/JUL/2015 REPLACE Humidity Probe (Now Rotronics S/N - 13606003) Surface Observations  
 10/OCT/2011 REPLACE Humidity Probe (Now Rotronics S/N - 13606003) Surface Observations  
 01/JUL/2015 REPLACE Humidity Probe (Now Vaisala HMP45D S/N - V1920028) Surface Observations

**Historical metadata for this site has not been quality controlled for accuracy and completeness. Data other than current station information, particularly earlier than 1998, should be considered accordingly. Information may not be complete, as backfilling of historical data is incomplete.**

Prepared by the Bureau of Meteorology.

Contact us by phone on (03) 9669 4082, by fax on (03) 9669 4515, or by email on [climatedata@bom.gov.au](mailto:climatedata@bom.gov.au)

Station metadata is compiled for a range of internal purposes and varies in quality and completeness. The Bureau cannot provide any warranty nor accept any liability for this information. © Copyright Commonwealth of Australia 2021, Bureau of Meteorology.





## Extended Climatological Station Metadata

All History

<b>Station:</b> ALBURY AIRPORT AWS			<b>Location:</b> ALBURY AIRPORT AWS			<b>State:</b> NSW
<b>Bureau No.:</b> 072160	<b>WMO No.:</b> 95896		<b>Aviation ID:</b> YMAY	<b>Opened:</b> 01 Apr 1993		<b>Current Status:</b> Still open
<b>Latitude:</b> -36.0690	<b>Longitude:</b> 146.9509		<b>Elevation:</b> 163.5 m	<b>Barometer Elev:</b> 164.5 m		<b>Metadata compiled:</b> 27 JUL 2021

### Station Equipment History (continued)

#### Equipment Install/Remove(Continued)

01/APR/1993 INSTALL Temperature Probe - Dry Bulb (Type Rosemount S/N - NONE) Surface Observations  
 10/OCT/2011 REPLACE Temperature Probe - Dry Bulb (Now Rosemount S/N - 10293) Surface Observations  
 19/AUG/2006 INSTALL Thermometer, Mercury, Dry Bulb (Type Dobbie S/N - M5262) Surface Observations  
 08/NOV/2014 REMOVE Thermometer, Mercury, Dry Bulb (Type Dobbie S/N - M5262) Surface Observations

#### Wet Bulb Temperature (No Electronic History)

#### Lightning (No Electronic History)

#### Turbidity (No Electronic History)

#### Total Column Ozone Amount (No Electronic History)

#### Pressure

01/APR/1993 INSTALL Barometer (Type Vaisala PA11A S/N - 458208) Surface Observations  
 10/OCT/2011 REPLACE Barometer (Now Vaisala PTB220B S/N - C3840022) Surface Observations

#### Humidity

01/APR/1993 INSTALL Humidity Probe (Type Rotronics S/N - 11666020) Surface Observations  
 31/MAY/2019 REPLACE Humidity Probe (Now Rotronics MP300-001 S/N - 1902000/13) Surface Observations  
 28/JUL/2015 REPLACE Humidity Probe (Now Rotronics S/N - 13606003) Surface Observations  
 10/OCT/2011 REPLACE Humidity Probe (Now Rotronics S/N - 13606003) Surface Observations  
 01/JUL/2015 REPLACE Humidity Probe (Now Vaisala HMP45D S/N - V1920028) Surface Observations

#### Sunshine Hours (No Electronic History)

#### Pressure Trend (No Electronic History)

#### Snow Height (No Electronic History)

#### Wind Speed

01/APR/1993 INSTALL Anemometer (Type Synchronac Cups - Type 732 S/N - 65507) Surface Observations  
 01/APR/1993 INSTALL Anemometer (Type Synchronac Vane - Type 706 S/N - 4224926) Surface Observations  
 01/APR/1993 INSTALL Mast Anemometer (Type Pivot, Standard 8m S/N - NONE) Infrastructure  
 05/JUN/2013 REPLACE Anemometer (Now Synchronac Cups - Type 732 S/N - 78285) Surface Observations  
 05/JUN/2013 REPLACE Anemometer (Now Synchronac Vane - Type 706 S/N - 7494840) Surface Observations

#### Rainfall

01/APR/1993 INSTALL Raingauge (Type Rimco TBRG (type unspecified) S/N - 324681) Surface Observations  
 24/MAR/2017 REPLACE Raingauge (Now Rimco 7499 TBRG S/N - 85821) Surface Observations

#### Soil Temperature 100cm (No Electronic History)

#### Soil Temperature 10cm (No Electronic History)

#### Solar Radiation (Long Wave) (No Electronic History)

#### RF Reflectivity (No Electronic History)

**Historical metadata for this site has not been quality controlled for accuracy and completeness. Data other than current station information, particularly earlier than 1998, should be considered accordingly. Information may not be complete, as backfilling of historical data is incomplete.**

Prepared by the Bureau of Meteorology.

Contact us by phone on (03) 9669 4082, by fax on (03) 9669 4515, or by email on [climatedata@bom.gov.au](mailto:climatedata@bom.gov.au)

Station metadata is compiled for a range of internal purposes and varies in quality and completeness. The Bureau cannot provide any warranty nor accept any liability for this information. © Copyright Commonwealth of Australia 2021, Bureau of Meteorology.



## Extended Climatological Station Metadata

All History

<b>Station:</b> ALBURY AIRPORT AWS	<b>Location:</b> ALBURY AIRPORT AWS	<b>State:</b> NSW
<b>Bureau No.:</b> 072160	<b>WMO No.:</b> 95896	<b>Aviation ID:</b> YMAY
<b>Latitude:</b> -36.0690	<b>Longitude:</b> 146.9509	<b>Elevation:</b> 163.5 m
	<b>Opened:</b> 01 Apr 1993	<b>Barometer Elev:</b> 164.5 m
	<b>Current Status:</b> Still open	<b>Metadata compiled:</b> 27 JUL 2021

### Station Equipment History (continued)

The following table summarises information on field performance checks available electronically over the period indicated. The number of instances an instrument was found to fail field performance checks should only be used as a guide. A system of data quality flags is implemented by the Bureau of Meteorology to indicate the data quality of an observation as determined by a multi-stage quality control process.

Available Date Range	Element	Fail Field Performance Check
17/APR/2012 - 27/SEP/2016	Cloud Height	0
24/JUN/2008 - 31/MAY/2019	Visibility	2
16/MAR/1998 - 16/MAR/2021	Wind Direction	0
16/MAR/1998 - 16/MAR/2021	Air Temperature	4
16/MAR/1998 - 16/MAR/2021	Pressure	2
16/MAR/1998 - 16/MAR/2021	Humidity	2
16/MAR/1998 - 16/MAR/2021	Wind Speed	0
16/MAR/1998 - 16/MAR/2021	Rainfall	6

#### Station Detail Changes

01/APR/1993 CLASSIFICATION AWS Funding - Aviation (FAV)  
 12/OCT/2020 CLASSIFICATION AWS Priority 2 - Important (SLP2-AWS)  
 09/MAY/2006 CLASSIFICATION Category B (TAF B)  
 10/JAN/2011 CLASSIFICATION Critical (ASOSCRIT)  
 10/JUN/2014 CLASSIFICATION Important Aviation or Defence (AVIMP) ENDED 16-10-2020  
 01/JUL/2017 CLASSIFICATION Observing Operations Hub - Melbourne (OOH-M)  
 21/MAR/2016 CLASSIFICATION Processed by ASOS (PBA)  
 01/JUL/2017 CLASSIFICATION SLS Flood forecasting priority â€ Medium (FWP-M)  
 14/DEC/2007 OBJECT Document/072160071214perfchks  
 11/JAN/2010 OBJECT Document/072160100111perfchks  
 16/MAR/2021 OBJECT Document/072160210316mastaudit  
 17/MAR/2011 OBJECT Document/AWS SITE AUDIT  
 17/APR/2012 OBJECT Document/CEILOMETER STATUS  
 19/APR/2012 OBJECT Document/CEILOMETER STATUS  
 27/SEP/2016 OBJECT Document/CEILOMETER STATUS  
 22/SEP/2011 OBJECT Document/CEILOMETER STATUS  
 08/MAY/2013 OBJECT Document/CEILOMETER STATUS  
 04/JUN/2014 OBJECT Document/CEILOMETER STATUS  
 01/JUL/2015 OBJECT Document/CEILOMETER STATUS  
 16/MAR/2016 OBJECT Document/CEILOMETER STATUS  
 19/AUG/2006 OBJECT Document/Perf Chks Albury Airport AWS 20060819  
 04/DEC/2018 OBJECT Document/SKYLINE DATA  
 20/FEB/2012 OBJECT Document/SKYLINE DATA  
 28/AUG/2004 OBJECT Document/Skyline points  
 19/APR/2011 OBJECT Document/VISIBILITY METER STATUS  
 17/APR/2012 OBJECT Document/VISIBILITY METER STATUS  
 31/MAY/2019 OBJECT Document/VISIBILITY METER STATUS  
 18/NOV/2014 OBJECT Document/VISIBILITY METER STATUS

**Historical metadata for this site has not been quality controlled for accuracy and completeness. Data other than current station information, particularly earlier than 1998, should be considered accordingly. Information may not be complete, as backfilling of historical data is incomplete.**

Prepared by the Bureau of Meteorology.

Contact us by phone on (03) 9669 4082, by fax on (03) 9669 4515, or by email on [climatedata@bom.gov.au](mailto:climatedata@bom.gov.au)

Station metadata is compiled for a range of internal purposes and varies in quality and completeness. The Bureau cannot provide any warranty nor accept any liability for this information. © Copyright Commonwealth of Australia 2021, Bureau of Meteorology.



## Extended Climatological Station Metadata

All History

<b>Station:</b> ALBURY AIRPORT AWS	<b>Location:</b> ALBURY AIRPORT AWS	<b>State:</b> NSW
<b>Bureau No.:</b> 072160	<b>WMO No.:</b> 95896	<b>Aviation ID:</b> YMAY
<b>Latitude:</b> -36.0690	<b>Longitude:</b> 146.9509	<b>Elevation:</b> 163.5 m
	<b>Opened:</b> 01 Apr 1993	<b>Barometer Elev:</b> 164.5 m
	<b>Current Status:</b> Still open	<b>Metadata compiled:</b> 27 JUL 2021

### Station Equipment History (continued)

#### Station Detail Changes(Continued)

27/SEP/2016 OBJECT Document/VISIBILITY METER STATUS  
 22/SEP/2011 OBJECT Document/VISIBILITY METER STATUS  
 08/MAY/2013 OBJECT Document/VISIBILITY METER STATUS  
 04/JUN/2014 OBJECT Document/VISIBILITY METER STATUS  
 01/JUL/2015 OBJECT Document/VISIBILITY METER STATUS  
 16/MAR/2016 OBJECT Document/VISIBILITY METER STATUS  
 04/SEP/2013 OBJECT Document/VISIBILITY METER STATUS  
 01/APR/1993 STATION - (nondb seeding) Opened  
 01/APR/1993 STATION - (nondb seeding) aero\_ht Changed to 165  
 01/APR/1993 STATION - (nondb seeding) bar\_ht Changed to 164.5  
 01/APR/1993 STATION - (nondb seeding) bar\_ht\_deriv Changed to MAP 1:25 000  
 01/APR/1993 STATION - (nondb seeding) stn\_ht Changed to 163.5  
 01/APR/1993 STATION - (nondb seeding) stn\_ht\_deriv Changed to MAP 1:25 000  
 01/APR/1993 STATION - (nondb seeding) wmo\_num Changed to 95896  
 01/APR/1993 STATION aviation\_id Changed to YMAY  
 01/APR/1993 STATION latitude Changed to -36.0690Seeded from NonDb  
 01/APR/1993 STATION latlon\_deriv Changed to GPS  
 01/APR/1993 STATION latlon\_error Changed to 4  
 01/APR/1993 STATION longitude Changed to 146.9509Seeded from NonDb  
 16/MAR/1998 STATION lu\_0\_100m Changed to Airport  
 16/MAR/1998 STATION lu\_100m\_1km Changed to Airport  
 16/MAR/1998 STATION lu\_1km\_10km Changed to City area, buildings < 10 metres (3 storey)  
 01/APR/1993 STATION name Changed to ALBURY AIRPORT AWS  
 16/MAR/1998 STATION soil\_type Changed to red soil  
 08/NOV/2014 STATION surface\_type Changed to bare ground  
 16/MAR/1998 STATION surface\_type Changed to fully covered by grass  
 20/FEB/2012 STATION surface\_type Changed to mostly covered by grass  
 04/DEC/2018 STATION surface\_type Changed to mostly covered by grass  
 19/SEP/2012 STATION surface\_type Changed to partly covered by grass

#### System Changes

01/APR/1993 SYSTEM Infrastructure Commenced  
 01/APR/1993 SYSTEM Surface Observations Commenced

**Historical metadata for this site has not been quality controlled for accuracy and completeness. Data other than current station information, particularly earlier than 1998, should be considered accordingly. Information may not be complete, as backfilling of historical data is incomplete.**

Prepared by the Bureau of Meteorology.

Contact us by phone on (03) 9669 4082, by fax on (03) 9669 4515, or by email on [climatedata@bom.gov.au](mailto:climatedata@bom.gov.au)

Station metadata is compiled for a range of internal purposes and varies in quality and completeness. The Bureau cannot provide any warranty nor accept any liability for this information. © Copyright Commonwealth of Australia 2021, Bureau of Meteorology.

## Notes on these metadata

The following notes have been compiled to assist with interpreting the metadata provided in this document. These notes are subject to change as the network evolves. Changes in station-specific metadata occur more frequently, both as recent changes are recorded and historical information is transferred from paper file to electronic database.

### Reliability of the metadata

The Commonwealth Bureau of Meteorology maintains information on more than 20,000 stations which have operated since observations began in the mid 1800s. The amount of information available for each of these sites and its associated uncertainty are influenced by a number of factors including the type and purpose of the station and the time over which it operated.

Early information about stations was held only on paper file. In 1998 a corporate electronic database was established to help maintain information about the network and its components. The number of parameters recorded about a station is now much greater than before this database was established. The national database has also helped improve consistency in the metadata through the implementation of predefined fields. As a result, and through the refinement of operating procedures, station metadata recorded since 1998 are of a higher overall standard than previously, although occasional omissions and errors are still possible.

The Bureau is part way through a task of entering historical information held on paper file into the corporate database. **Until this process is completed there will remain large gaps in the information contained in these metadata documents and considerable caution should be used when deriving conclusions from the metadata.** As an example, two consecutive entries about a rain gauge dated 50 years apart may appear in the equipment metadata. This may either mean that nothing happened to that instrument over the 50 years, or that information for the intervening period has yet to be entered into the database. Similarly, if no information was available about instruments at a site when it was first established, fields which were required to have a value present may have used the earliest information available as a best-guess estimate. Sometimes this was the metadata current when the database was established in 1998. In some instances there may be gaps in metadata relevant to the post 1998 period.

For the above reasons it is recommended that all metadata prior to 1998 be considered as indicative only, and used with caution, unless it has been quality controlled. The Bureau of Meteorology should be contacted if further information or confirmation of the data is required. Depending on the nature of the inquiry there may be a fee associated with this request. Contact details are provided in the telephone book for each capital city or the Bureau's web site at:  
<http://www.bom.gov.au>

The following pages contain explanatory notes for selected terms found in this document.

### Station Number

The Bureau of Meteorology station number uniquely specifies a station and is not intended to change over time, although on very rare occasions a station number may change or be deleted from the record (usually to correct an error). Generally a new station number is established if an existing station changes in a way that would affect the climate data record for that site (measured in terms of air temperature and precipitation). Significant station moves are an example of this.

Some stations also possess a World Meteorological Organization (WMO) station number. The WMO number is different to the Bureau of Meteorology number. It also uniquely specifies a station at any given time but can be reassigned to another station if the new station takes priority in the global reporting network. Only selected stations will have a WMO number. Significant stations may maintain their WMO number for many decades.

**Historical metadata for this site has not been quality controlled for accuracy and completeness. Data other than current station information, particularly earlier than 1998, should be considered accordingly. Information may not be complete, as backfilling of historical data is incomplete.**

Prepared by the Bureau of Meteorology.

Contact us by phone on (03) 9669 4082, by fax on (03) 9669 4515, or by email on [climatedata@bom.gov.au](mailto:climatedata@bom.gov.au)

Station metadata is compiled for a range of internal purposes and varies in quality and completeness. The Bureau cannot provide any warranty nor accept any liability for this information. © Copyright Commonwealth of Australia 2021, Bureau of Meteorology.



## Notes on these metadata

### Network Classification

<b>SUPPORTING the BASIC CLIMATE SERVICE</b>
Global Climate Observing System (GCOS)
GCOS Upper Air Network (GUAN)
GCOS Surface Network (GSN)
National Climate Network {not yet assigned}
Reference Climate Stations (RCS)
Regional Basic Climatological Network (RBCN)
CLIMAT Stations (CLC)
CLIMAT TEMP Stations (CLT)
<b>SUPPORTING the NATIONAL WEATHER WATCH SYSTEM</b>
WMO Global Observing System (GOS)
GOS Upper Air Network
GOS Satellite Network
Global Atmospheric Watch
Background Atmospheric Pollution Monitoring Network (BAPMON)
Basic Ozone Network
Basic Solar and Terrestrial Radiation Network
Regional Basic Synoptic Network (RBSN)
WMO Global Oceanic Observing System (GOOS)
<b>SUPPORTING the BASIC WEATHER SERVICE (BWS)</b>
BWS Land Network
Significant Land Locations
Capital City Mesonets
National Benchmark Network for Agrometeorology (NBNA)
BWS Marine Network
Significant Coastal Locations
Open Ocean Network
BWS Upper Air Network
Major Significant Locations
BWS Remote Sensing Network
Weather Watch Radar Network
Fire Weather Wind Mesonets
High Resolution Satellite
<b>SUPPORTING the BASIC HYDROLOGICAL SERVICE</b>
Regional Flood Warning Network
Water Resources Assessment Network
Global Hydrological Network
Global Terrestrial Observing System (GTOS)
World Hydrological Cycle Observing System (WHYCOS)
National Hydrological Network

Networks of stations are defined for a variety of purposes (as defined in above table).

**Historical metadata for this site has not been quality controlled for accuracy and completeness. Data other than current station information, particularly earlier than 1998, should be considered accordingly. Information may not be complete, as backfilling of historical data is incomplete.**

Prepared by the Bureau of Meteorology.

Contact us by phone on (03) 9669 4082, by fax on (03) 9669 4515, or by email on [climatedata@bom.gov.au](mailto:climatedata@bom.gov.au)

Station metadata is compiled for a range of internal purposes and varies in quality and completeness. The Bureau cannot provide any warranty nor accept any liability for this information. © Copyright Commonwealth of Australia 2021, Bureau of Meteorology.

## Notes on these metadata

### Network Classification Continued...

Stations may be included in several different networks, which may change over time. The table on the previous page lists current network classifications related to the scientific purpose of the network. Some of these networks - the GCOS network for instance - are components of a global network. Entries in the database for some networks may not be complete, thus not properly representing the status of the network. The composition of the network will usually change over time. While several of the networks have international significance, other network classifications have been developed to aid operational management.

### Station Purpose

The station purpose can be classified according to the observation program listed below. Parameters in brackets list some of the various different configurations which occur.

- Synoptic [Seasonal, River Height, Climatological, Telegraphic Rain, Aeronautical, Upper Air]
- Climatological [Seasonal, Telegraphic Rain]
- Aeronautical
- Rainfall [River Height]
- River Height
- Telegraphic Rain [Non-Telegraphic River Height, Telegraphic River Height]
- Non-Telegraphic Rain [Telegraphic River Height]
- Evaporation [Rainfall, River Height, Telegraphic River Height, Non-Telegraphic River Height, Telegraphic Rain, Non-Telegraphic Rain]
- Pluviograph [Rainfall, Telegraphic Rain, Non-Telegraphic Rain, River Height, Telegraphic River Height, Non-Telegraphic River Height]
- Radiation
- Lightning Flash Counter
- Public Information
- Local Conditions
- Radar Site
- Unclassified
- No Routine Observations

Note: Telegraphic observations are those which are sent by some electronic means be it a phone or telegram to the responsible Bureau office. It is a term which is historically linked to analogue non automatic data transmission.

### Station Observation Program Summary

#### Surface Observations

The following terms are used to describe the frequency of surface observations at a site. Historical observation programs will typically be missing for many sites until the database is backfilled with information.

Set a)

- Continuous Program
  - More than half hourly observations sent (eg an automatic weather station {AWS} which continuously transmits 10 minute observations). This will automatically include half hourly and hourly observations programs.
- Half hourly observations
  - Half hourly observations sent. This will automatically include hourly observations.
- Hourly observations
  - Hourly observations sent only. Stations report on non-synoptic hours (ie. 0100, 0200, 0400, 0500, etc)

**Historical metadata for this site has not been quality controlled for accuracy and completeness. Data other than current station information, particularly earlier than 1998, should be considered accordingly. Information may not be complete, as backfilling of historical data is incomplete.**

Prepared by the Bureau of Meteorology.

Contact us by phone on (03) 9669 4082, by fax on (03) 9669 4515, or by email on [climatedata@bom.gov.au](mailto:climatedata@bom.gov.au)

Station metadata is compiled for a range of internal purposes and varies in quality and completeness. The Bureau cannot provide any warranty nor accept any liability for this information. © Copyright Commonwealth of Australia 2021, Bureau of Meteorology.

## Notes on these metadata

### Surface observations continued....

#### Set b)

- Performed
  - Observations performed, instruments read and observations recorded
- Reported
  - Observations performed, instruments read and reported real time
- Seasonal
  - The program may only be performed during a defined season (such as Fire Weather observations) or the routine program may increase in reporting frequency and/or parameters. The program dates are currently modified at the start and end of each season for stations performing seasonal observations. Historically this was not always the case.

### Current Station Equipment Summary

Equipment listed in this metadata product is catalogued under one of systems listed below, appropriate to its application. The "Infrastructure" category has been included since it contains information about the mast height of an anemometer (if present).

- Flood Warning
- Infrastructure
- Radiation
- Rainfall Intensity
- Surface Observations
- Upper Air
- Weather Watch {RADAR}

### Station Equipment History

#### Equipment Install/Remove

One of four types of actions can be performed on an instrument in this listing:

**Install** - A new instrument is installed at the site. This can be either a completely new addition (eg the first barometer at the site), or the replacement of an existing instrument with a different type (eg replacing mercury barometer with electronic barometer)

**Remove** - An instrument can be removed either when it is no longer necessary to measure a particular element, or when the element is to be measured by an instrument of a different type ( see under "Install" above)

**Replace** - This occurs when one instrument is replaced with another of the same type (eg Kew pattern mercury barometer replacing another Kew pattern mercury barometer)

**Share** - The same instrument is used for observations under two (or more) systems (eg a rain gauge may be used within both Surface Observations and Rainfall Intensity systems)

**Unshare** - The instrument is no longer shared between systems

**Historical metadata for this site has not been quality controlled for accuracy and completeness. Data other than current station information, particularly earlier than 1998, should be considered accordingly. Information may not be complete, as backfilling of historical data is incomplete.**

Prepared by the Bureau of Meteorology.

Contact us by phone on (03) 9669 4082, by fax on (03) 9669 4515, or by email on [climatedata@bom.gov.au](mailto:climatedata@bom.gov.au)

Station metadata is compiled for a range of internal purposes and varies in quality and completeness. The Bureau cannot provide any warranty nor accept any liability for this information. © Copyright Commonwealth of Australia 2021, Bureau of Meteorology.

## Notes on these metadata

### Calibration

During a site inspection an instrument will be calibrated as either being within or not within the specified tolerance in accuracy.

Where a quantitative calibration result can be achieved by comparison to a transfer standard (eg barometer comparisons and tipping bucket rain gauge calibrations), the instrument will be recorded as being within or outside the required tolerance. Instruments (such as 203mm rain gauges, screens and evaporation pans) where quantitative calibrations cannot be derived should be regarded as meeting specifications when the instrument is in 'good working order'.

This product provides a summary table of the number of times an instrument was found to be out of calibration

### Station Detail Changes

This set of metadata indicates when some aspect of the general information about a station has changed.

#### - STATION

Metadata which are categorised as pertaining to STATION are items of (textual) information describing a specific attribute of the station. A reference to (nondB seeding) indicates initial information of this field has been sourced from a previous database.

#### Station position

##### - Latitude and longitude

Derivation of station latitude and longitude, defined by the location of the rain gauge when it is present, has changed over time. Current practice is to locate or verify open and operational station latitude and longitude based on Global Positioning System equipment. Methods used to locate a station as described in this product (latlon\_deriv) are as follows: GPS, MAP 1:10000, MAP 1:12500, MAP 1:25000, MAP 1:50000, MAP 1:100000, MAP 1:250000, SURVEY, and Unknown (which is more commonly represented by a null value). The field latlon\_error should be used with caution as the method of determining this value has been interpreted in different ways over time.

##### - Height

Determination of heights for observing sites is by survey where possible. Otherwise height may be determined using a Digital Aneroid Barometer and a known surveyed point, or derived from map contours. The source of height is provided in the corresponding parameter with a suffix of "\_deriv".

Heights which may appear in these metadata are:

- aero\_ht
  - The official elevation of the aerodrome which normally corresponds to the altitude of the highest threshold of the runways at that airport;
- bar\_ht
  - this represents the height of the mercury barometer cistern or the digital aneroid barometer above mean sea level (MSL);
- stn\_ht
  - this normally represents the height of the rain gauge above MSL

**Historical metadata for this site has not been quality controlled for accuracy and completeness. Data other than current station information, particularly earlier than 1998, should be considered accordingly. Information may not be complete, as backfilling of historical data is incomplete.**

Prepared by the Bureau of Meteorology.

Contact us by phone on (03) 9669 4082, by fax on (03) 9669 4515, or by email on [climatedata@bom.gov.au](mailto:climatedata@bom.gov.au)

Station metadata is compiled for a range of internal purposes and varies in quality and completeness. The Bureau cannot provide any warranty nor accept any liability for this information. © Copyright Commonwealth of Australia 2021, Bureau of Meteorology.



## Notes on these metadata

### - Land Use

To assist the long term understanding of climate change it is important to be able to determine the differences over time which are attributed to variations in the climate. Since land use has an effect on the micro climate around the site, and changes in land use will therefore affect the climate record, it is important that the characteristics of the site are monitored. Soil types are recorded as they affect the land use and also add to the knowledge of the site details.

#### Defined Land use Types.

- Non-vegetated (barren, desert)
- Coastal or Island
- Forest
- Open farmland, grassland or tundra
- Small town, less than 1000 population
- Town 1000 to 10,000 population
- City area with buildings less than 10 metres (3 stories)
- City area with buildings greater than 10 metres (3 stories)
- Airport

The land use code is entered on the station inspection form in the ranges 0 to 100 m, 100 to 1 km and 1km to 10 km; ie:

- lu\_0\_100m: Land Use 0 to 100 metres from the enclosure
- lu\_100m\_1km: Land Use 100 metres to 1 kilometre
- lu\_1km\_10km: Land Use 1 kilometre to 10 kilometres

#### Defined Soil Type (At Enclosure).

- unable to determine
- sand
- black soil
- clay
- rock
- red soil
- other

#### Surface Type (At Enclosure).

- unable to determine
- fully covered by grass
- mostly covered by grass
- partly covered by grass
- bare ground
- sand
- concrete
- asphalt
- rock
- other

**Historical metadata for this site has not been quality controlled for accuracy and completeness. Data other than current station information, particularly earlier than 1998, should be considered accordingly. Information may not be complete, as backfilling of historical data is incomplete.**

Prepared by the Bureau of Meteorology.

Contact us by phone on (03) 9669 4082, by fax on (03) 9669 4515, or by email on [climatedata@bom.gov.au](mailto:climatedata@bom.gov.au)

Station metadata is compiled for a range of internal purposes and varies in quality and completeness. The Bureau cannot provide any warranty nor accept any liability for this information. © Copyright Commonwealth of Australia 2021, Bureau of Meteorology.