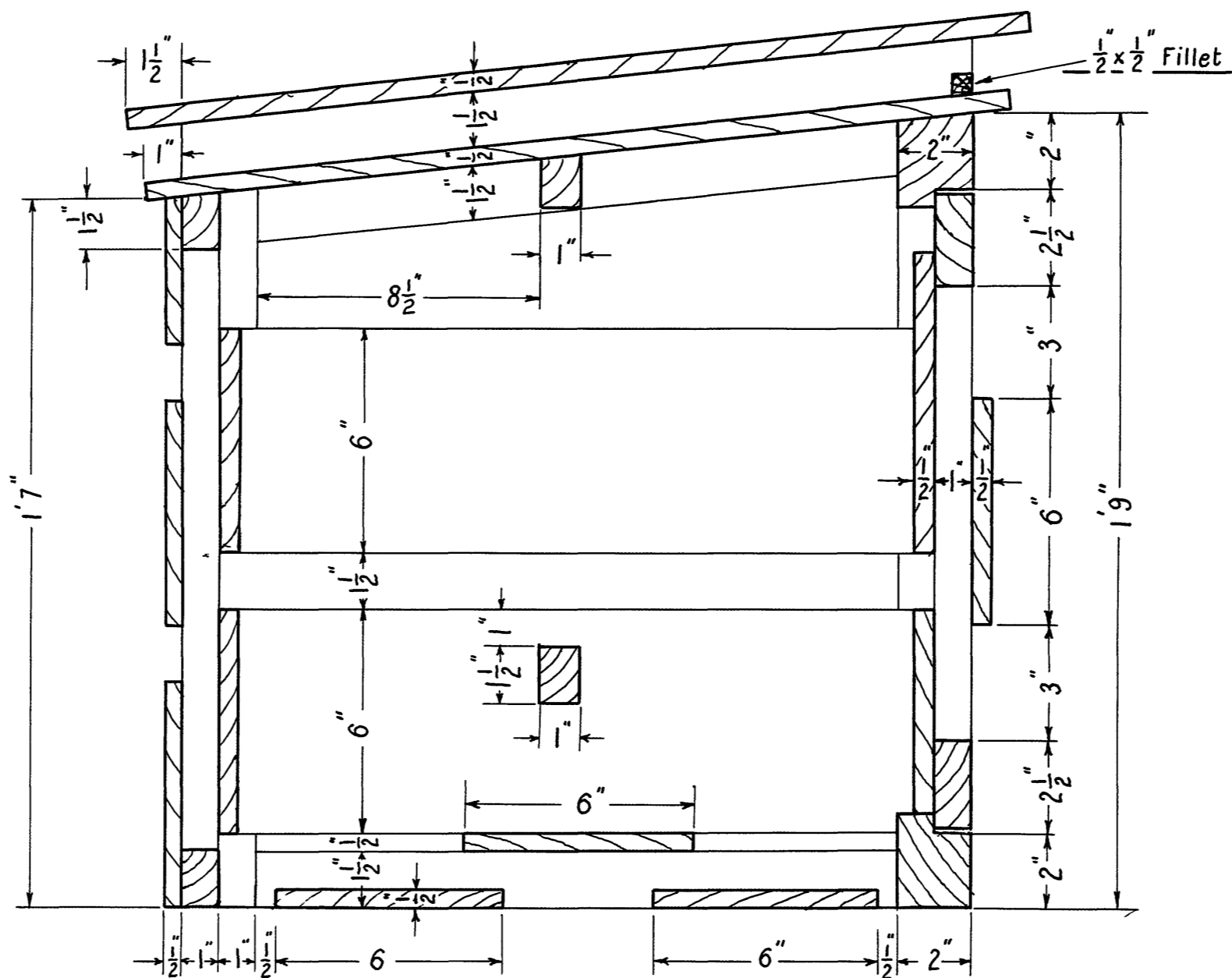
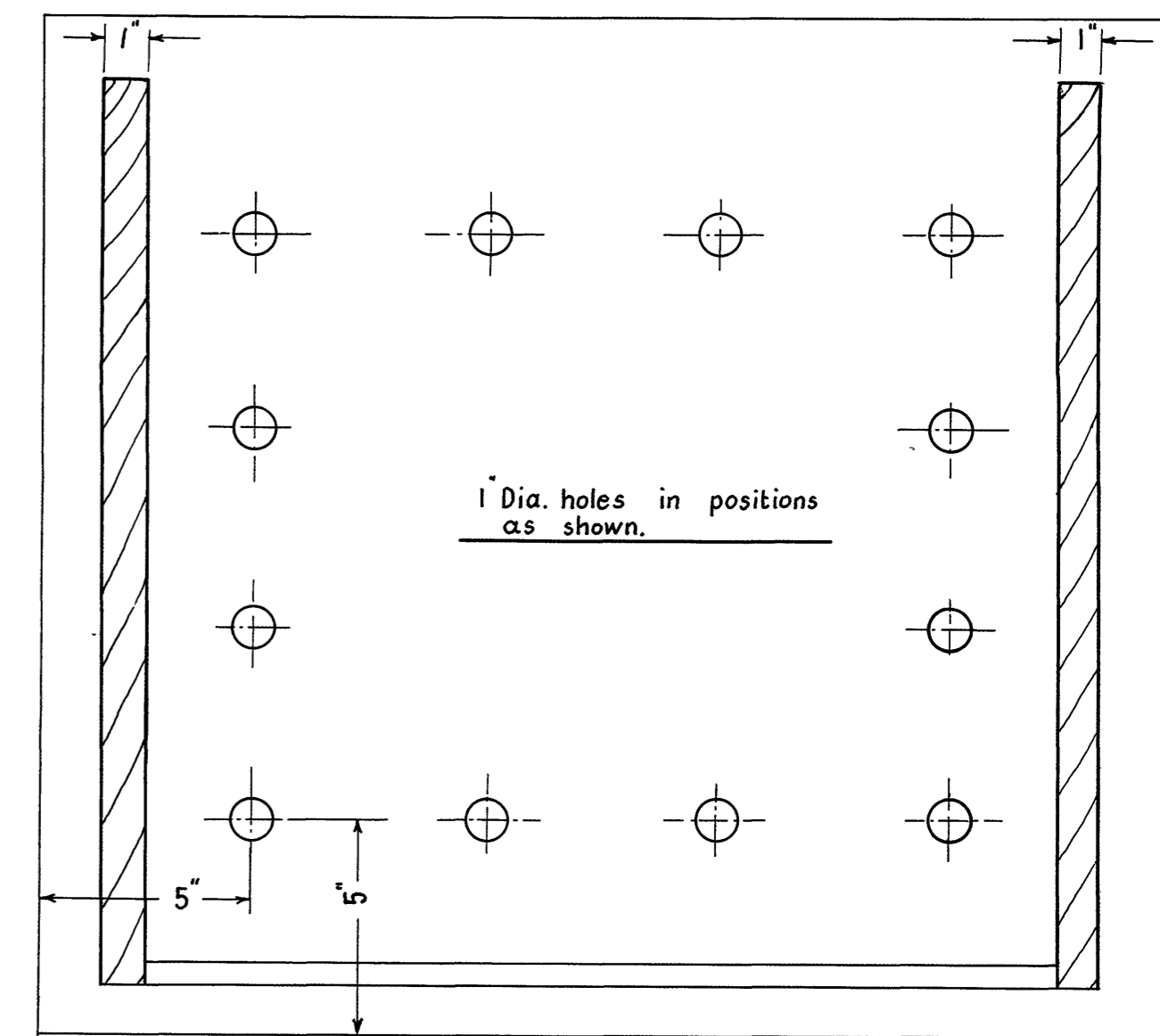


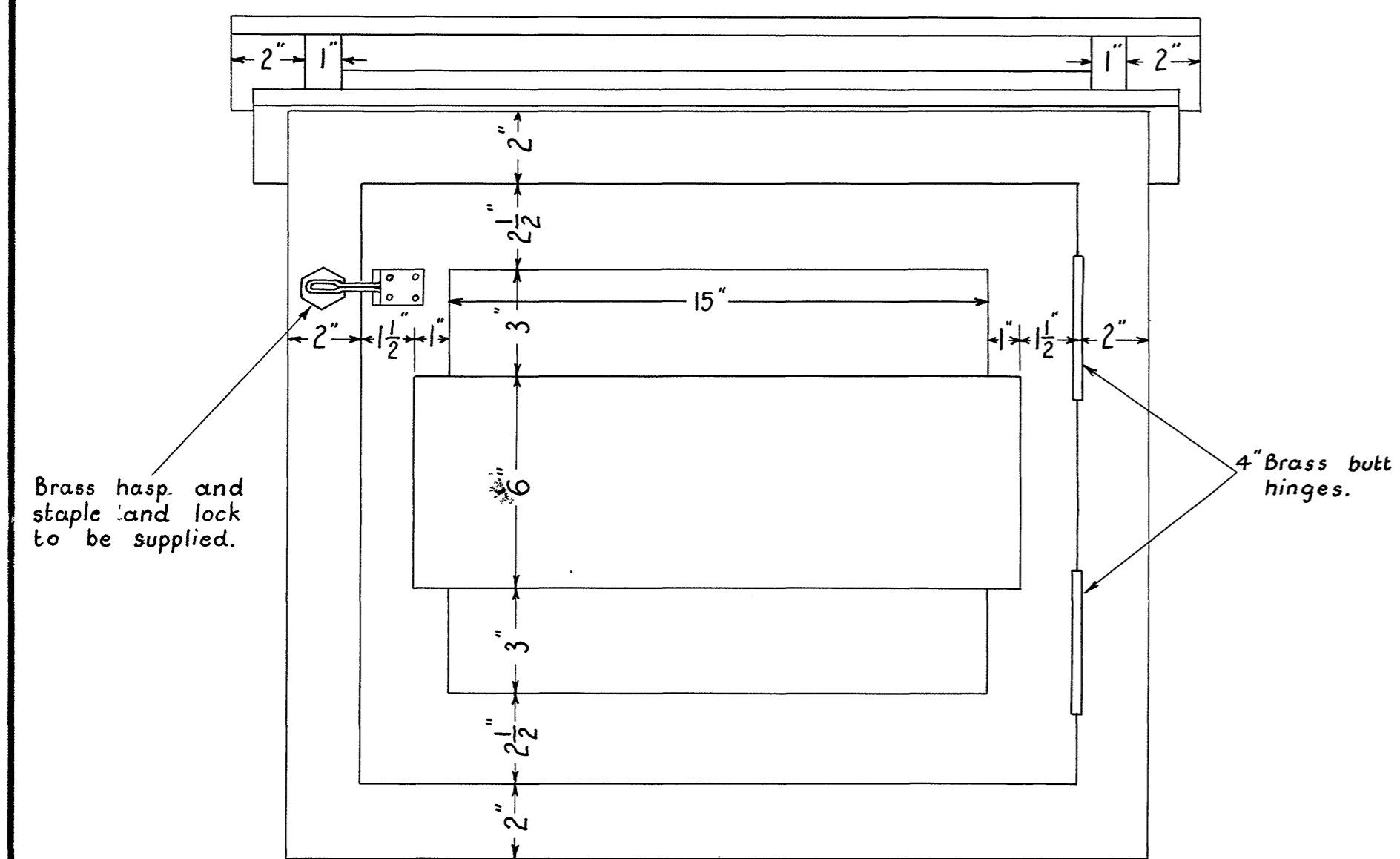
PLAN



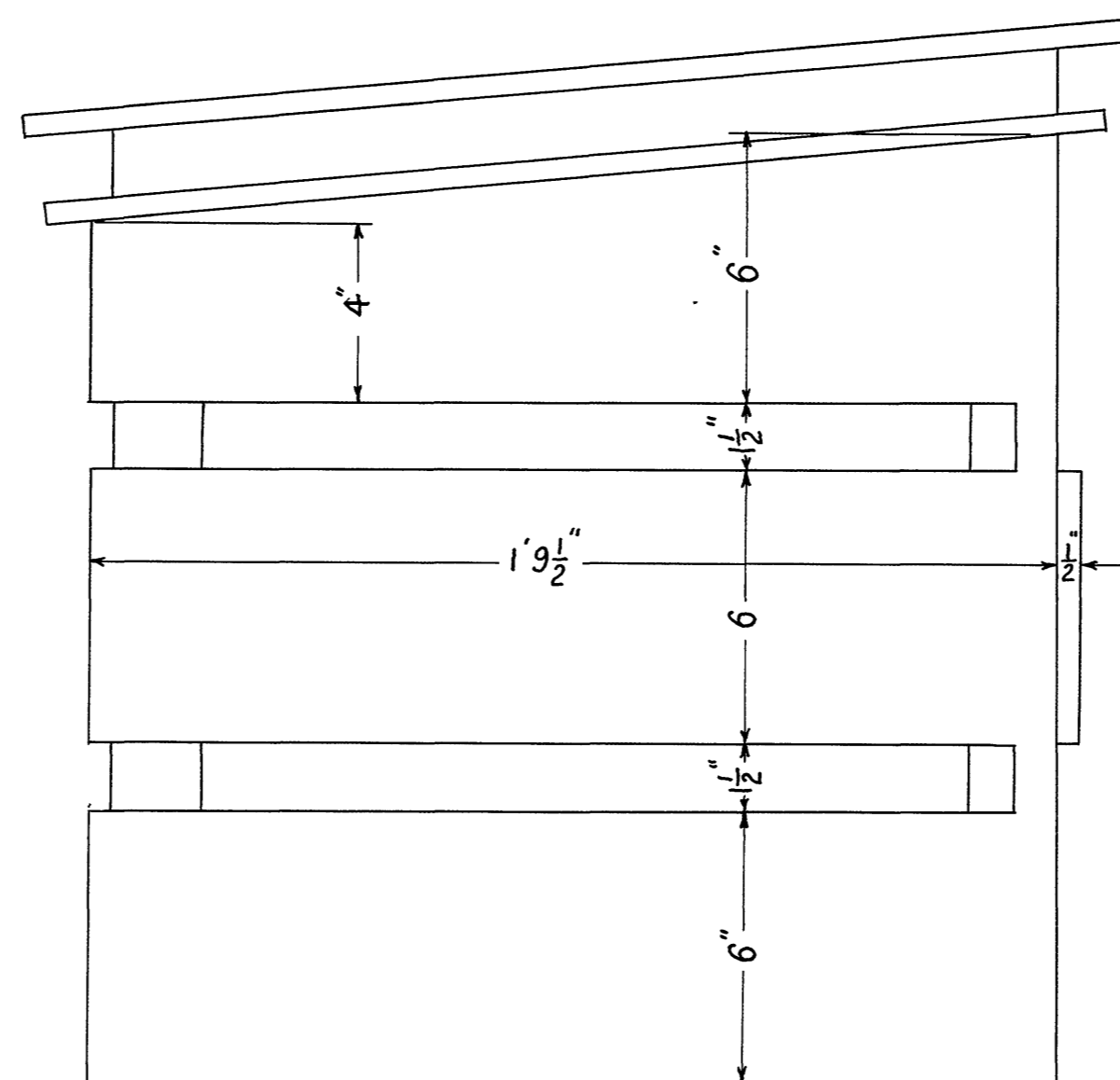
SECTION X-X



PLAN  
Showing holes in board under roof.



FRONT ELEVATION



SIDE ELEVATION

Notes :

- To be made of red pine or similar approved timbers.
- All screen frame joints to be mortised, tenoned and pinned.
- Use brass screws throughout.
- In putting joints together use thick white paint or soft lead putty.
- Paint complete screen inside and outside with one coat of pink primer to S.A.A. INT. 10.A, then, one coat of oil base white undercoat to S.A.A. INT. 11.A then, one coat of white exterior glass paint to S.A.A. INT. 12.A. Brand of paint used to be approved by Inspector before work is commenced.
- Doors to have  $\frac{3}{32}$  clearance on sides and top when fitted into screen frame.

Scale : 3" = 1'-0"

ISSUES						COMMONWEALTH OF AUSTRALIA	
Order	Drawn	Checked	AMENDMENTS	Exam'd	App'd.	Date	No.
	K.S.B.	J.B.				15-1-43	1
2874	V.H.		REDRAWN.			24-11-61	2
			Title changed with address			29-5-61	3
3165	E.S.	H.A.	Number & title changed & sheet 2 added - Old Number was 200			24-12-61	4

**BUREAU OF METEOROLOGY**

**THERMOMETER SCREEN -  
MEDIUM - IDENT N° 5143**

Ref. C.B.M. Equipment Spec'n N° A39

DRAWING No. CM-184	SHEET 1 OF 2 SHEETS
-----------------------	------------------------